

2

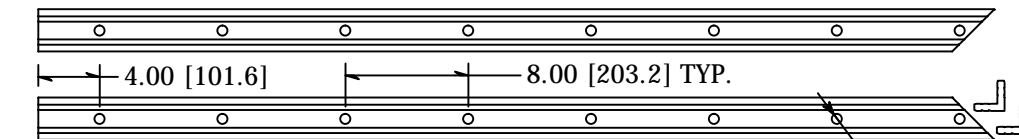
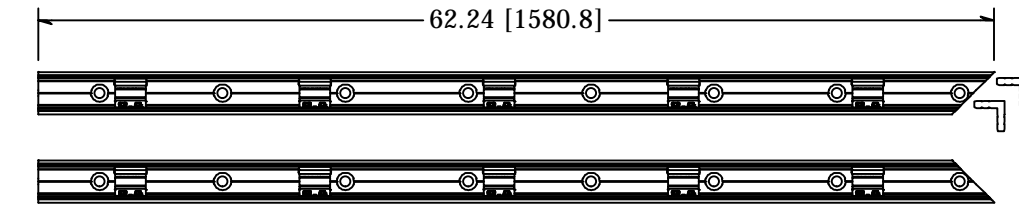
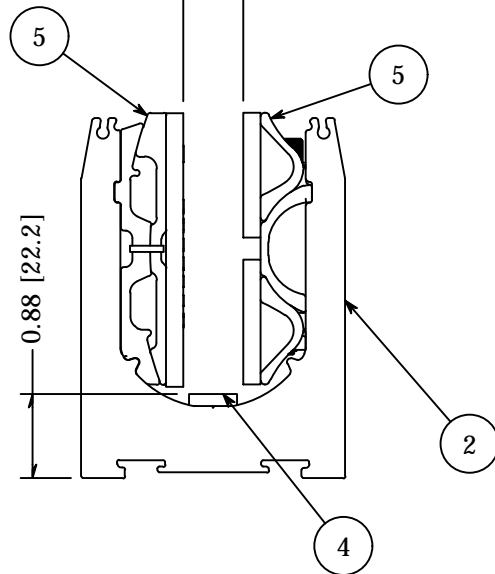
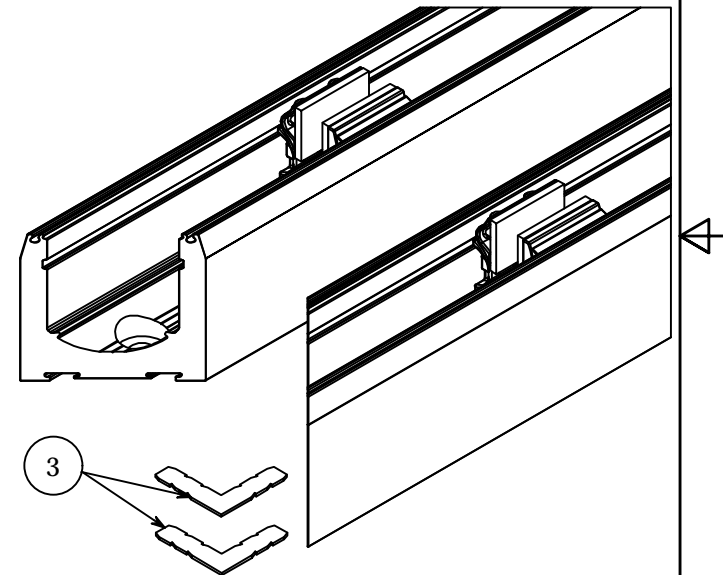


1

PARTS LIST

ITEM	QTY	PART NUMBER	DESCRIPTION
1	1	GR2LL5075HCBMKL8	Shoe Moulding, Aluminum, Level lock Plus, For .5 to .75 Glass, 2.75 Wide, 3.75 High, Mitered Corner Left, 5ft length, Hole Counterbored, 8 in on Center, Mill Finish
2	1	GR2LL5075HCBMKR8	Shoe Moulding, Aluminum, Level lock Plus, For .5 to .75 Glass, 2.75 Wide, 3.75 High, Mitered Corner Right, 5ft length, Hole Counterbored, 8 in on Center, Mill Finish
3	1	GR2LLAT090	Level Lock Plus, Shoe Alignment Tabs, 90 Degree Corner, Pack of 4, Aluminum
4	1	GR9LL1250	Shoe Isolator, Level Lock +, HDPE, 0.125 x 0.50 x 2.00, 10 pack
5	1	LL1213	Level Lock Plus, Mechanism 10 Pack, for 1/2" Nominal Glass, .469-.550"

0.469-0.550

(16) Ø0.63 THRU
□ Ø1.13

TOLERANCE	CUT LENGTH:	FINISH:	DESCRIPTION:
X.XX +/- 0.01		MILL	Level Lock Plus, Kit, for 1/2"-9/16", 13mm glass, 5ft Mitered Corner shoe set, Drilled 8in on Center, W/ Mechanisms
X.XXX +/- 0.005			MATERIAL:
Angle +/- 0.5			MATERIAL DESC:
Unless Otherwise Specified	DEVELOPED LENGTH:	WEIGHT:	DATE:
	5 FT	N/A	4/7/2021
	TOOL NUMBER:		DRAWN BY:
			A. Seeboth
			REV:
			1
			PART NUMBER:
			LL1213.8KITMK

10600 W Brown Deer Rd
Milwaukee, WI 53224
COLLABORATIVE METALWORKS <http://www.wagnercompanies.com/>

2



1