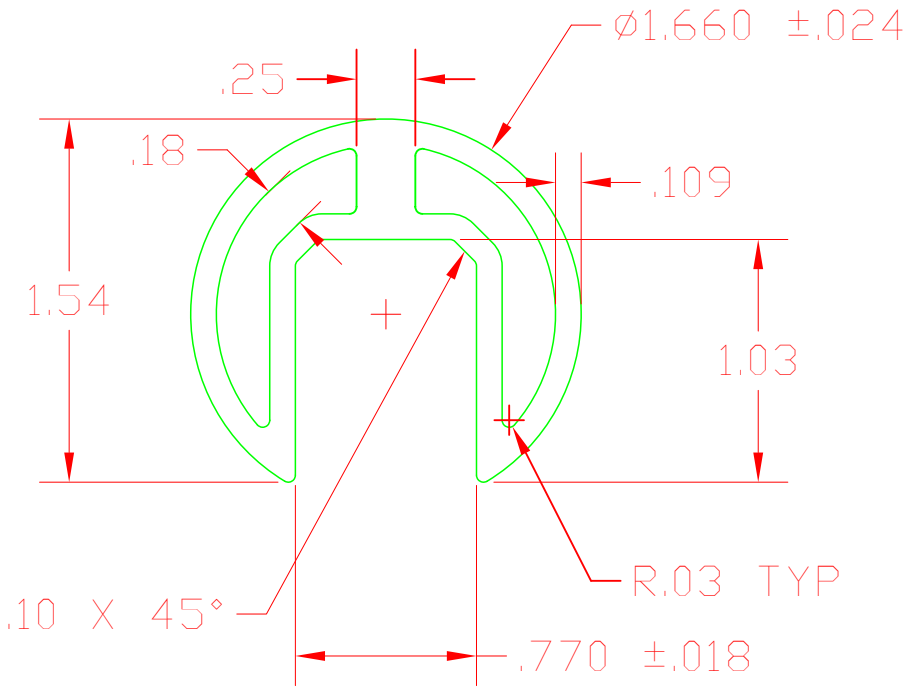



REV I
SH
DWG NO GR2168

REVISIONS			
REV	DESCRIPTION	DATE	APPROVED
1	RELEASED FROM EXP099A	01/27/10	PWH



*UNLESS OTHERWISE SPECIFIED, TOLERANCES ON THIS DRAWING PER ANSI H35.2-2009

PART NAME		1-1/4" PIPE SIZE EXTRUDED CAP RAIL	
MATERIAL		6063 T-52 ALUMINUM	
DATE	04/29/09	 THE WAGNER COMPANIES R & B WAGNER, INC. AND J. G. BRAUN CO.	
DRAWN BY	PWH		
FINISH	EXTRUDED		
SIZE	A	WEIGHT	PART NUMBER
			GR2168
			REV
			1