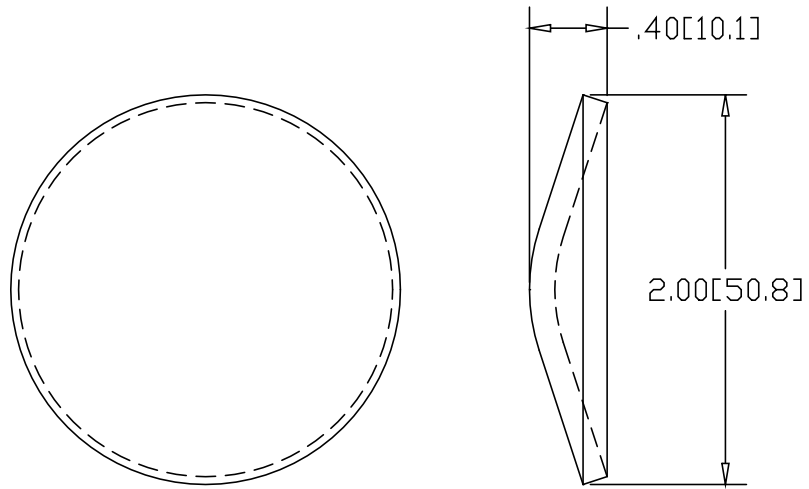



REV  
SH  
DWG NO D120D

REVISIONS			
REV	DESCRIPTION	DATE	APPROVED



INCHES [MILLIMETERS]

ALTERNATE MATERIAL	PART NUMBER
.125 (3003) ALUMINUM ASTM B209	D121D
10 GA. (304) STAINLESS STEEL ASTM A240	D122D

PART NAME 2.00" O.D. TUBE TYPE "F" DISHED WELD-ON DISK				
MATERIAL 7 GA. HRP&O STEEL ASTM A569				
DATE 6/13/96	 <b>THE WAGNER COMPANIES</b> R & B WAGNER, INC. AND J. G. BRAUN CO.			
DRAWN BY RJF				
FINISH MILL		SIZE A	WEIGHT .11 LBS	PART NUMBER D120D