

REV

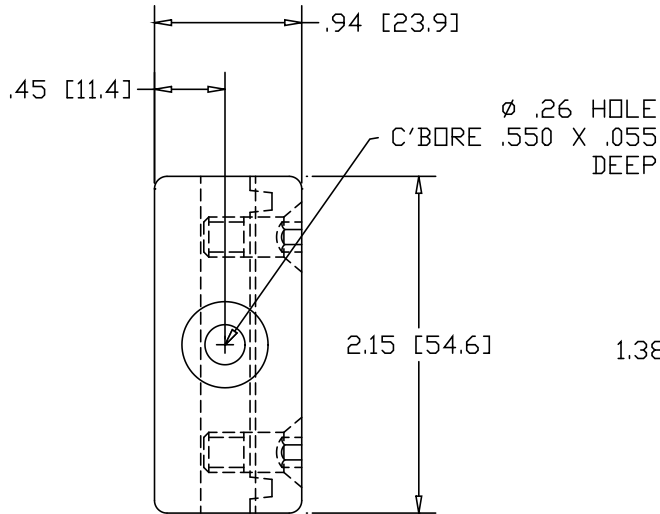
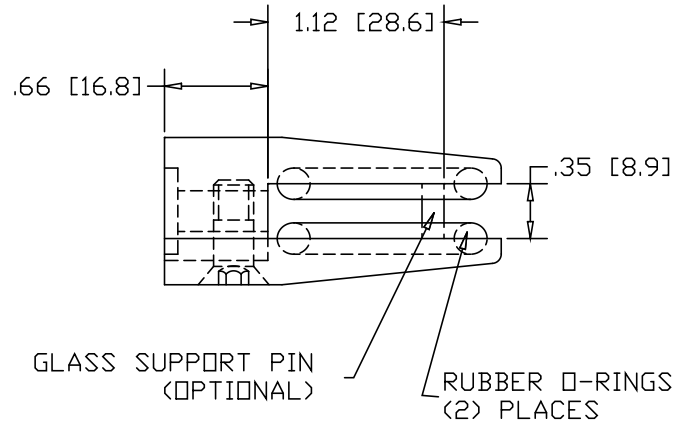
SH

162816-F

DWG NO

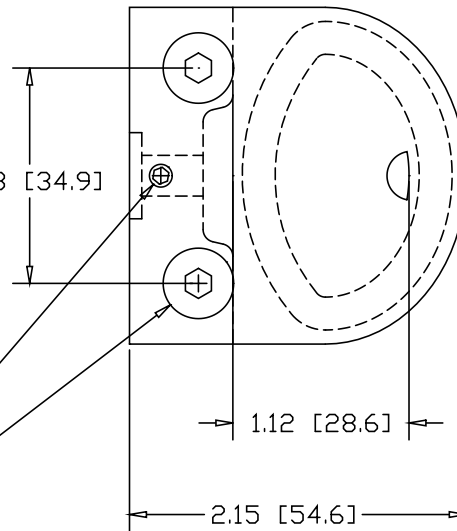
REVISIONS

REV	DESCRIPTION	DATE	APPROVED
-----	-------------	------	----------



1/4-20 ADJUSTMENT SET-SCREW

1/4-20 X .62" LONG
FLAT HEAD MACHINE SCREW



INCHES [MILLIMETERS]

PART NAME		GLASSGRIP FLAT MOUNTING FOR .25" - .38" GLASS					
MATERIAL		TYPE 304 STAINLESS STEEL					
DATE	6/06/02		THE WAGNER COMPANIES R & B WAGNER, INC. AND J. G. BRAUN CO.				
DRAWN BY	RJF						
FINISH	MIRROR						
SIZE	A	WEIGHT	.54 LBS	PART NUMBER	162816-F	REV	