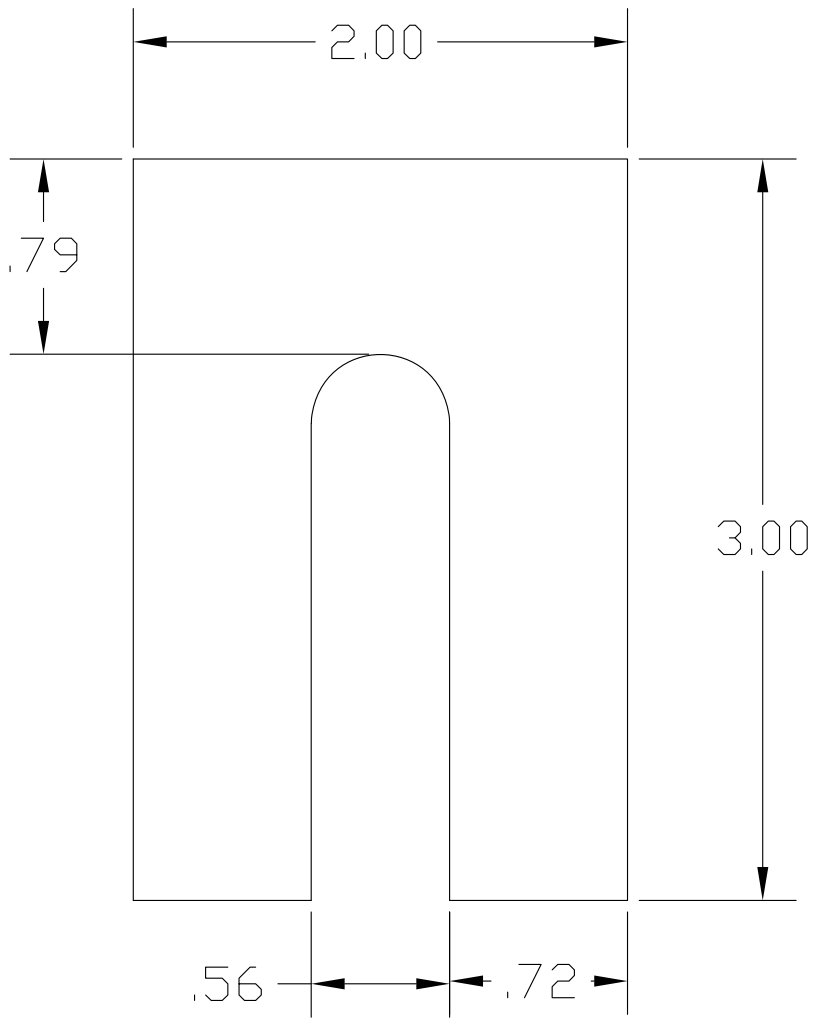



REV  
SH  
DWG NO  
GR2HS12

REVISIONS

REV	DESCRIPTION	DATE	APPROVED
-----	-------------	------	----------



PART NAME		SHIMS AL .125 HORSE SHOE (2X3)					
MATERIAL		SHEET AL .125 3003-0 ASTM B209					
DATE	5/12/09	 <b>THE WAGNER COMPANIES</b> R & B WAGNER, INC. AND J. G. BRAUN CO.					
DRAWN BY	DGP						
FINISH	MILL		SIZE	WEIGHT			
		A		PART NUMBER	GR2HS12	REV	