

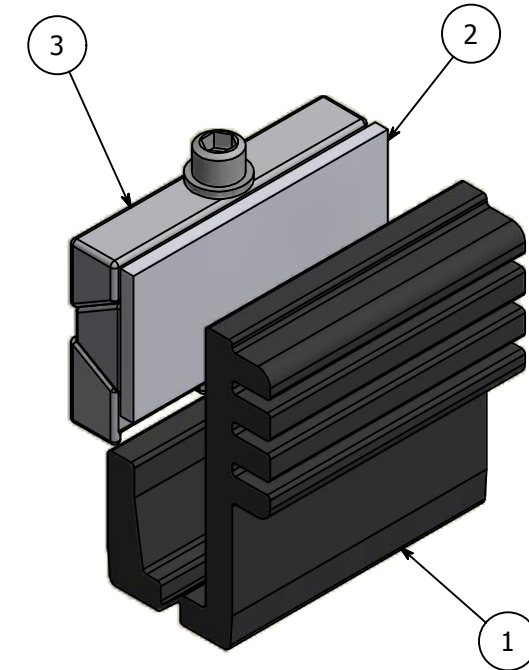
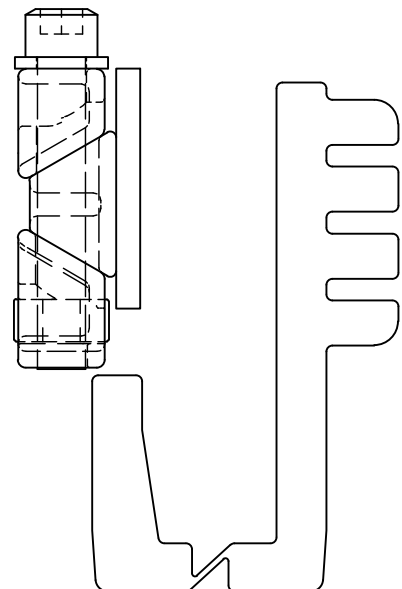
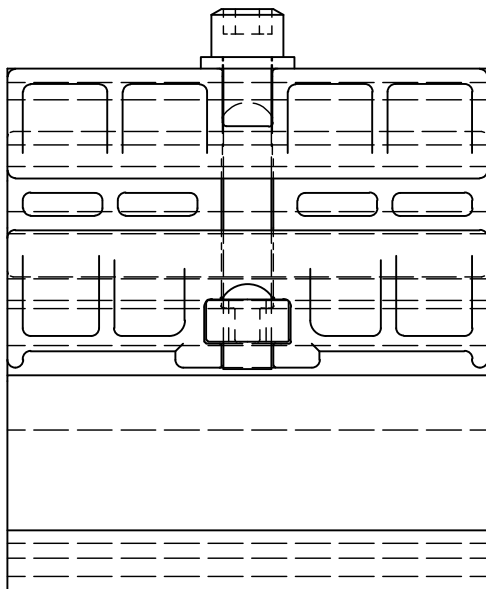
2



1

PARTS LIST

ITEM	QTY	PART NUMBER	DESCRIPTION
1	1	PGISO15	Dark Gray Isolator, Plastic, Used with Panel Grip, 15mm Glass
2	1	PGISO.125	White Pad, Used with Panel Grip, 15mm Glass
3	1	N/A	Panel Grip Assembly



B

B



A

A

TOLERANCE X.X..... = ± .060 X.XX..... = ± .030 X.XXX..... = ± .010 XX°..... = ± 1° UNLESS OTHERWISE NOTED	CUT LENGTH:	FINISH:	DESCRIPTION: PanelGrip 2 for 15mm Glass, Dry Mount Mechanism, w/ Dark Gray Isolator and White Pad	
	DEVELOPED LENGTH:	WEIGHT:	MATERIAL:	MATERIAL DESC:
	TOOL NUMBER:		DATE: 9/10/2015	REV: 1
			DRAWN BY: K. Bauserman	PART NUMBER: PG2415S

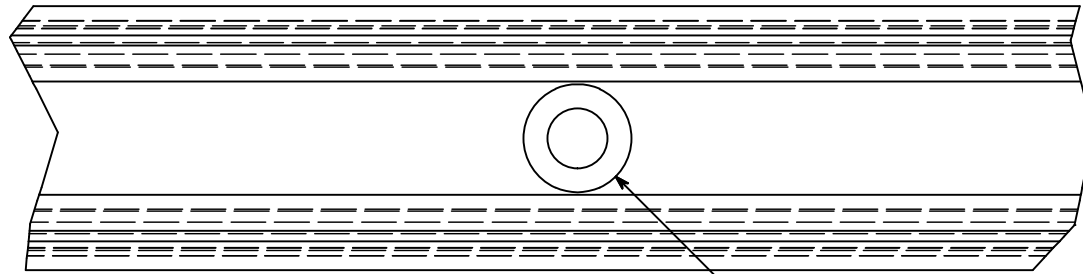


2



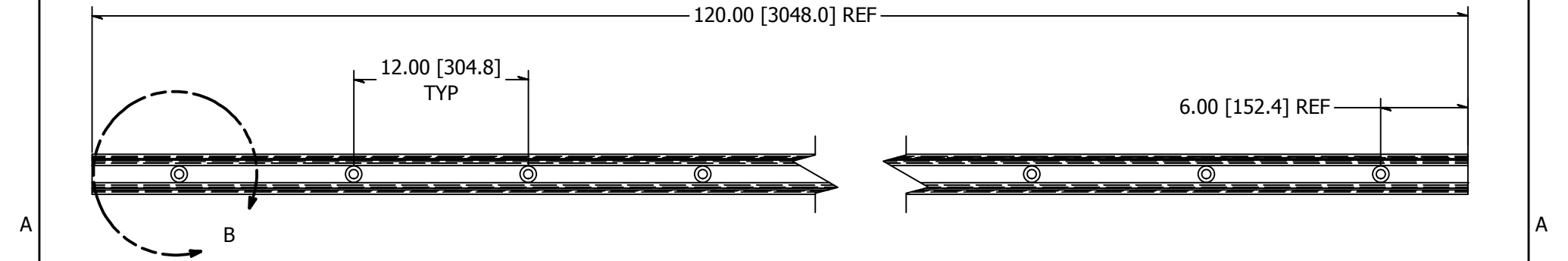
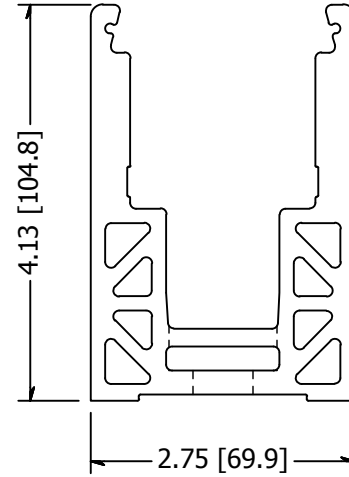
1


2 1



DETAIL B

(10) $\varnothing 0.625$ THRU
 $\square \varnothing 1.125 \nabla 0.438$



TOLERANCE X.X..... = $\pm .060$ X.XX..... = $\pm .030$ X.XXX..... = $\pm .010$ XX°..... = $\pm 1^\circ$ UNLESS OTHERWISE NOTED	CUT LENGTH:	FINISH:	DESCRIPTION: Shoe Moulding, AL, PanelGrip, 2-3/4 In Wide, 4-1/8 In High, Counterbored Holes		
		MILL	MATERIAL:	MATERIAL DESC:	
	DEVELOPED LENGTH:	WEIGHT:	DATE:	REV:	
	TOOL NUMBER:		DRAWN BY:		
			PART NUMBER:	 COLLABORATIVE METAL WORKS	

GR2457HCB-10

2 1