

NOTE:
SEE SHEET 2 FOR SUPPLIER PRINT AND APPROVED DIMENSIONS

| REVISION HISTORY | | | |
|------------------|---|-----------|----------|
| REV | DESCRIPTION | DATE | APPROVED |
| 1 | REMOVED LOWER LEG REVISED AND REDRAWN IN CAD | 1/23/2020 | AHS |

| | | | | |
|--|-------------------|-------------|---|-----------------------|
| TOLERANCE UNLESS OTHERWISE NOTED, TOLERANCES TO CONFORM TO ES.03.011 | CUT LENGTH: | FINISH: | DESCRIPTION: Gasket, Plastic, Glass Rail, Insert For Top of PanelGrip Shoe Mouldings, Black | |
| | | Mill | MATERIAL: z-Rubber | MATERIAL DESC: Rubber |
| | DEVELOPED LENGTH: | WEIGHT: | DATE: 1/23/2020 | REV: 1 |
| | | 0.10 lbmass | DRAWN BY: K. Turdo | |
| | TOOL NUMBER: | | PART NUMBER: GR9355 | |

WAGNER™
 10600 W Brown Deer Rd
 Milwaukee, WI 53224
 COLLABORATIVE METALWORKS <http://www.wagnercompanies.com/>



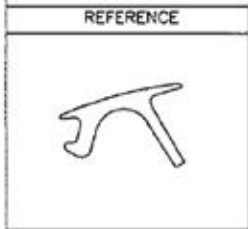
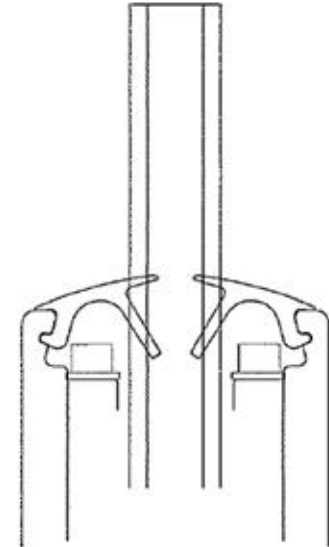
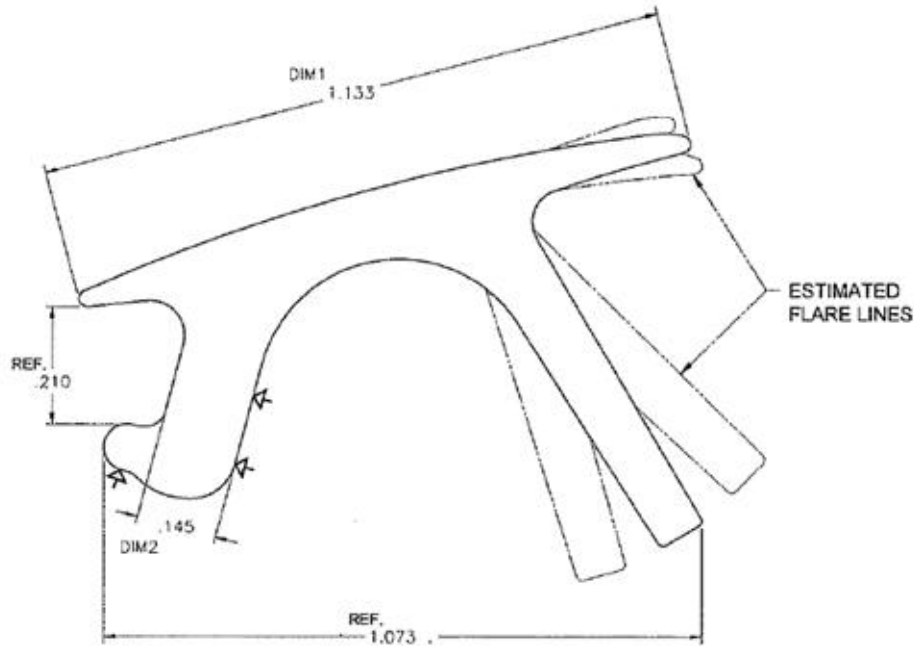
| DENSE RUBBER | | |
|------------------------------|-------|-----------|
| ASPM CLASS 2 TABLE 1 | | |
| DIMENSIONS (in) ISO-E 2015 | | |
| Above | Up To | Tolerance |
| 0.000 | 0.050 | ±0.010 |
| 0.061 | 0.100 | 0.014 |
| 0.101 | 0.160 | 0.016 |
| 0.161 | 0.250 | 0.020 |
| 0.251 | 0.390 | 0.027 |
| 0.391 | 0.630 | 0.031 |
| 0.631 | 0.980 | 0.039 |
| 0.981 | 1.570 | 0.051 |
| 1.571 | 2.480 | 0.063 |
| 2.481 | 3.940 | 0.070 |

See 2.26 for dimensions over 250 inches.

I have inspected this drawing submitted by Cooper Standard ISG, and approve/validate the design, dimensions, and tolerances.

[Signature] 11-19-19
 Signature Date

| NO | REVISIONS | DATE | BY | ECN# |
|----|-----------|------|----|------|
| | | | | |
| | | | | |
| | | | | |
| | | | | |
| | | | | |



****DO NOT SCALE DRAWING****

CooperStandard
INDUSTRIAL AND SPECIALTY

CONFIDENTIAL AND PROPRIETARY INFORMATION. THIS DRAWING AND ALL OF THE INFORMATION CONTAINED HEREIN IS OWNED SOLELY BY COOPER STANDARD ISG WHICH RESERVES ALL THE RIGHTS TO THIS INFORMATION, REPRODUCTION, PUBLICATION, DISTRIBUTION, AND/OR DISSEMINATION OF THIS INFORMATION, IN WHOLE, OR IN PART, IS PROHIBITED WITHOUT WRITTEN AUTHORIZATION FROM COOPER-STANDARD ISG.

DESIGN BY: LMW DATE: 11/15/19

CUSTOMER: R&B WAGNER INC

PROGRAM / PROJECT: GR9355 REDESIGN

CUSTOMER P/N: -

WIRING: BD-0-6370 | SCALE: 5:1 AREA: 243

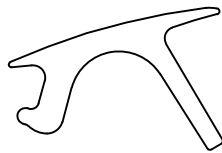
MATERIAL SPECIFICATION: ASTM D 2000

70 DURO DENSE EPDM (BLACK)

PROTECTIVE RFX: - DRAWING NO: 56373

SHEET 1 NO. 1

UNITS = INCH [MM]



| | | | | |
|--|-------------------|-------------|---|--|
| TOLERANCE | CUT LENGTH: | FINISH: | DESCRIPTION: Gasket, Plastic, Glass Rail, Insert For Top of PanelGrip Shoe Mouldings, Black | |
| | | Mill | MATERIAL: | MATERIAL DESC: Rubber |
| | DEVELOPED LENGTH: | WEIGHT: | DATE: | REV: 1 |
| | | 0.10 lbmass | DRAWN BY: | K. Turdo |
| UNLESS OTHERWISE NOTED, TOLERANCES TO CONFORM TO ES.03.011 | TOOL NUMBER: | | PART NUMBER: GR9355 | 10600 W Brown Deer Rd Milwaukee, WI 53224 COLLABORATIVE METALWORKS http://www.wagnercompanies.com/ |

