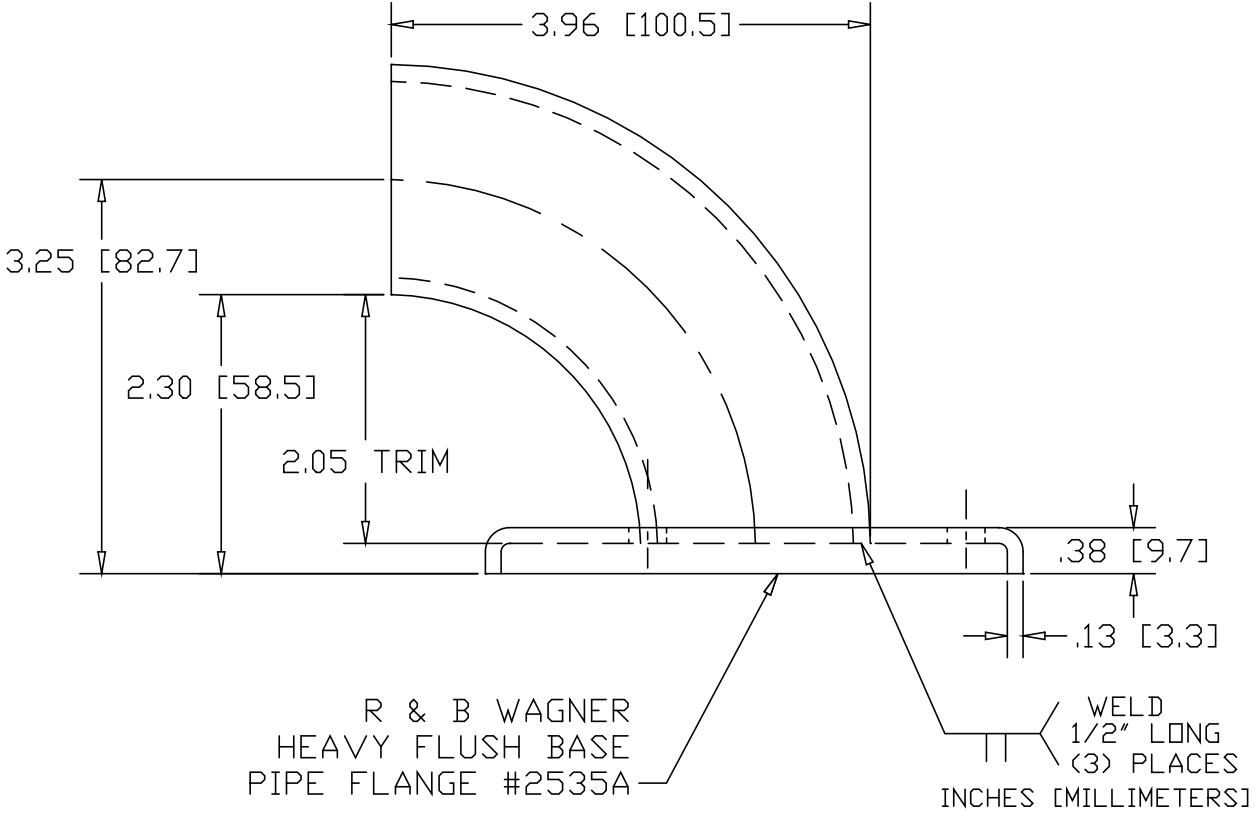
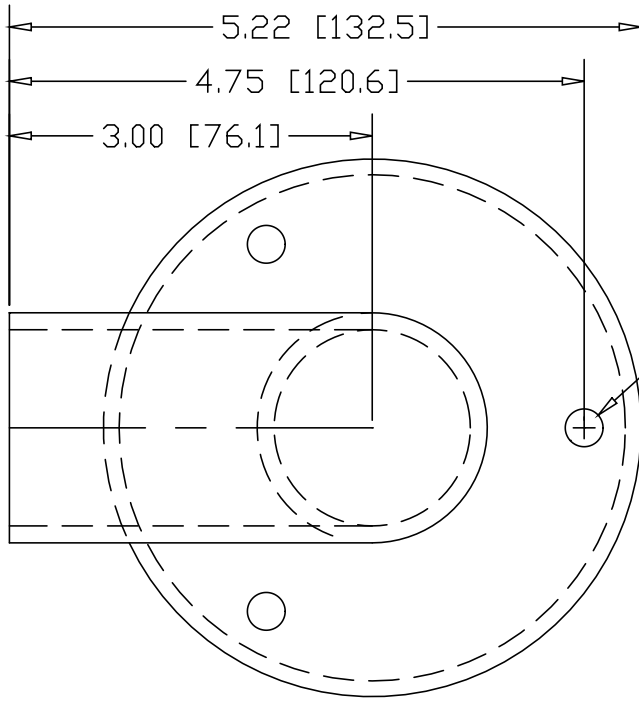


REV
SH
1164-3
DWG NO

REVISIONS			
REV	DESCRIPTION	DATE	APPROVED



PART NAME		1-1/2" PIPE SIZE X 3.25" WALL RETURN W/3 HOLES			
MATERIAL		STEEL - ASTM A569			
DATE	1/10/07		THE WAGNER COMPANIES R & B WAGNER, INC. AND J. G. BRAUN CO.		
DRAWN BY	RDC				
FINISH	MILL				
SIZE	A	WEIGHT	PART NUMBER	1164-3	REV