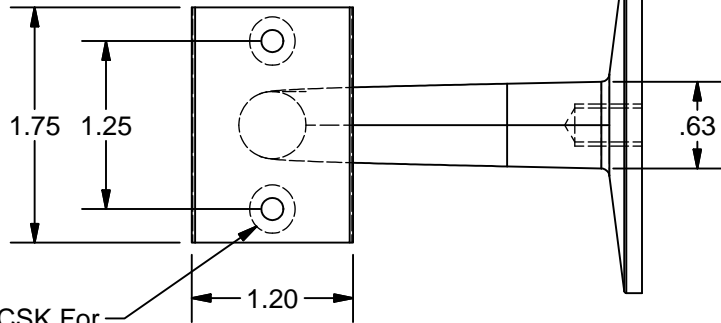
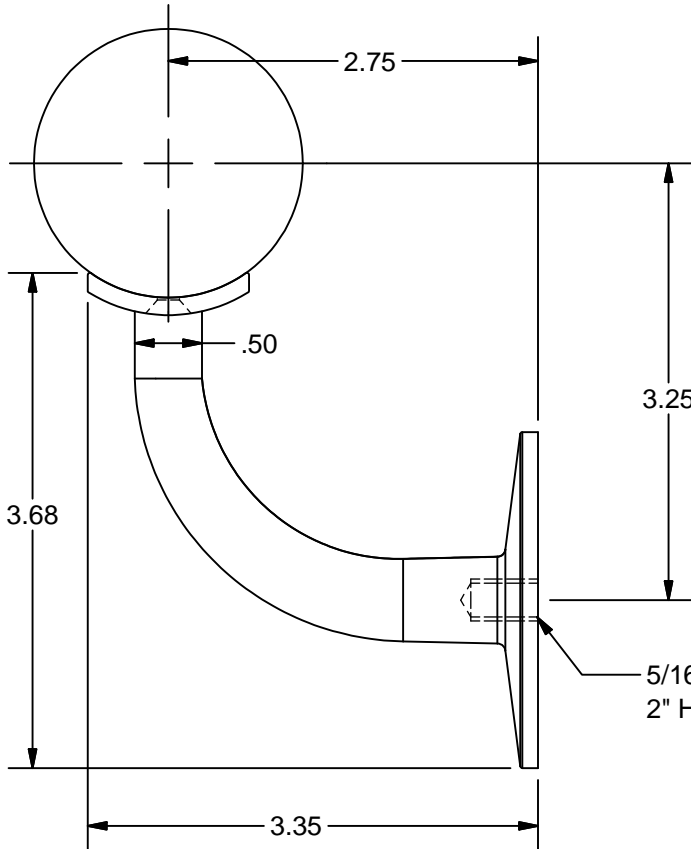
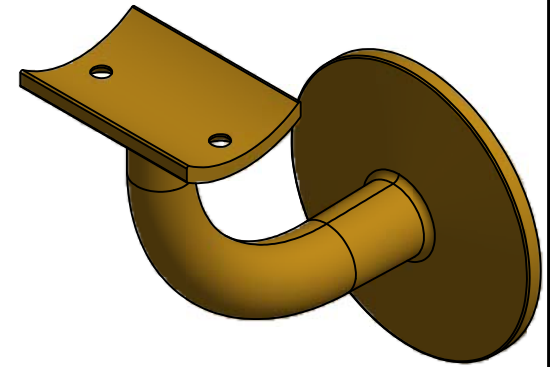


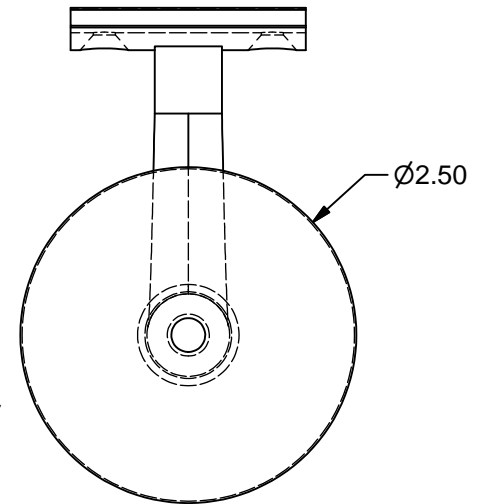
REVISION HISTORY			
REV	DESCRIPTION	DATE	APPROVED



Drill Thru & CSK For
#8 Flathead Screw
2 Places



5/16-18 UNC - 2B x 1/2" For
2" Hanger Bolt



TOLERANCE X.X..... = ± .060 X.XX..... = ± .030 X.XXX..... = ± .010 XX°..... = ± 1° UNLESS OTHERWISE NOTED	CUT LENGTH:	FINISH: #7 Bright	DESCRIPTION: Handrail Bracket, Brass, For 2.00 Inch Diameter Tube, 2.75 Inch From Wall To Center of Handrail. With 5/16-18 Threaded Hole	
	DEVELOPED LENGTH:	WEIGHT: 0.65 lbmass	MATERIAL: Brass	MATERIAL DESC: Cast, Brass
	TOOL NUMBER:		DATE: 4/18/2017	REV: -
			DRAWN BY: T. Kolbach	PART NUMBER: 142035

