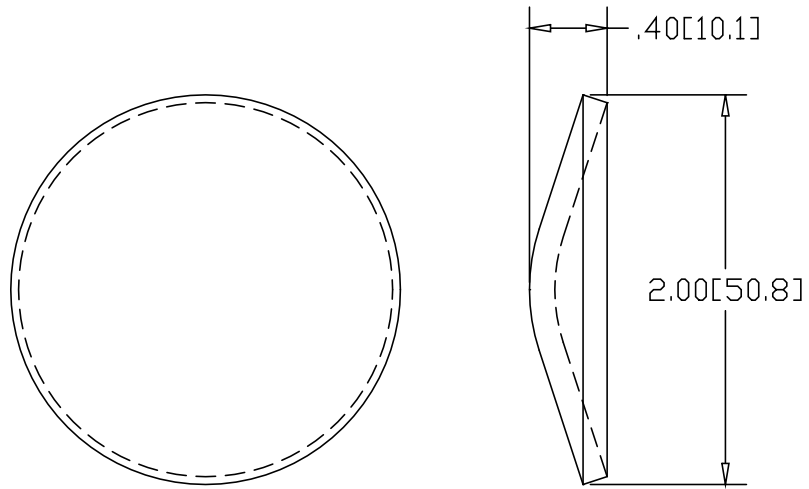



REV
SH
DWG NO D120D

| REVISIONS | | | |
|-----------|-------------|------|----------|
| REV | DESCRIPTION | DATE | APPROVED |



INCHES [MILLIMETERS]

| ALTERNATE MATERIAL | PART NUMBER |
|--|-------------|
| .125 (3003) ALUMINUM ASTM B209 | D121D |
| 10 GA. (304) STAINLESS STEEL ASTM A240 | D122D |

| | | | | |
|--|---|----------------|-------------------|-----|
| PART NAME 2.00" O.D. TUBE TYPE "F" DISHED WELD-ON DISK | | | | |
| MATERIAL 7 GA. HRP&O STEEL ASTM A569 | | | | |
| DATE 6/13/96 |  THE WAGNER COMPANIES R & B WAGNER, INC. AND J. G. BRAUN CO. | | | |
| DRAWN BY RJF | | | | |
| FINISH MILL | SIZE A | WEIGHT .11 LBS | PART NUMBER D120D | REV |