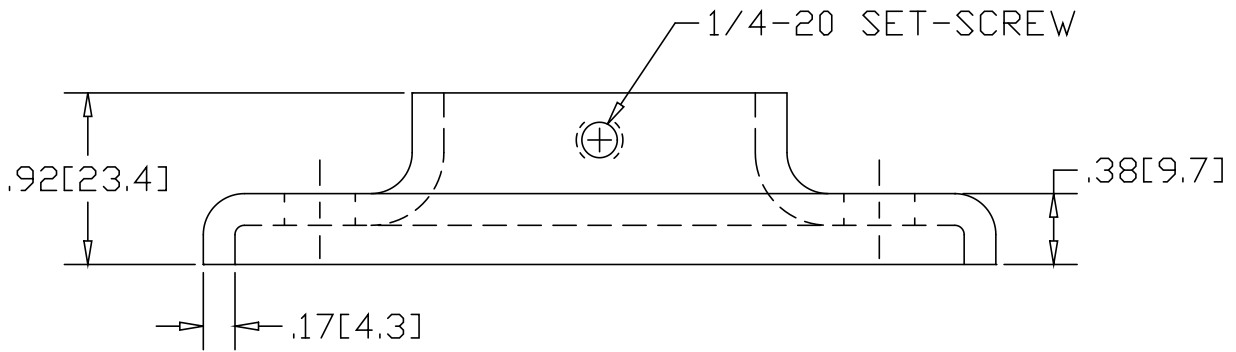
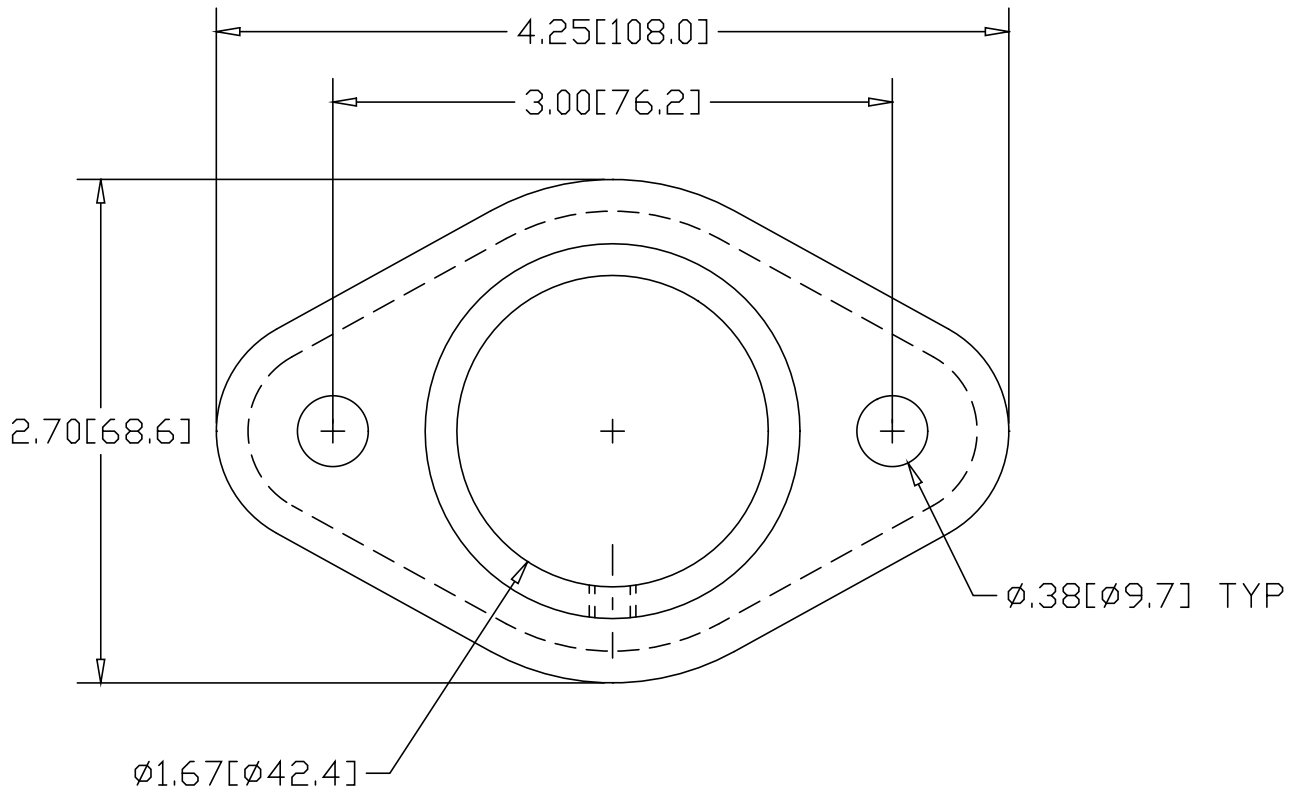


REV  
SH  
4913  
DWG NO

REVISIONS			
REV	DESCRIPTION	DATE	APPROVED



INCHES [MILLIMETERS]

ALTERNATE MATERIAL	PART NUMBER
.190 (3003) ALUMINUM ASTM B209	4943
7 GA. (304) STAINLESS STEEL ASTM A240	4973

PART NAME 1-1/4" PIPE SIZE TAPERED HEAVY BASE FLANGE W/ (2) HOLES & SET-SCREW				
MATERIAL 7 GA. HRP&D STEEL ASTM A569				
DATE 5/22/95				
DRAWN BY RJF				
FINISH MILL	SIZE A	WEIGHT .41 LBS	PART NUMBER 4913	REV