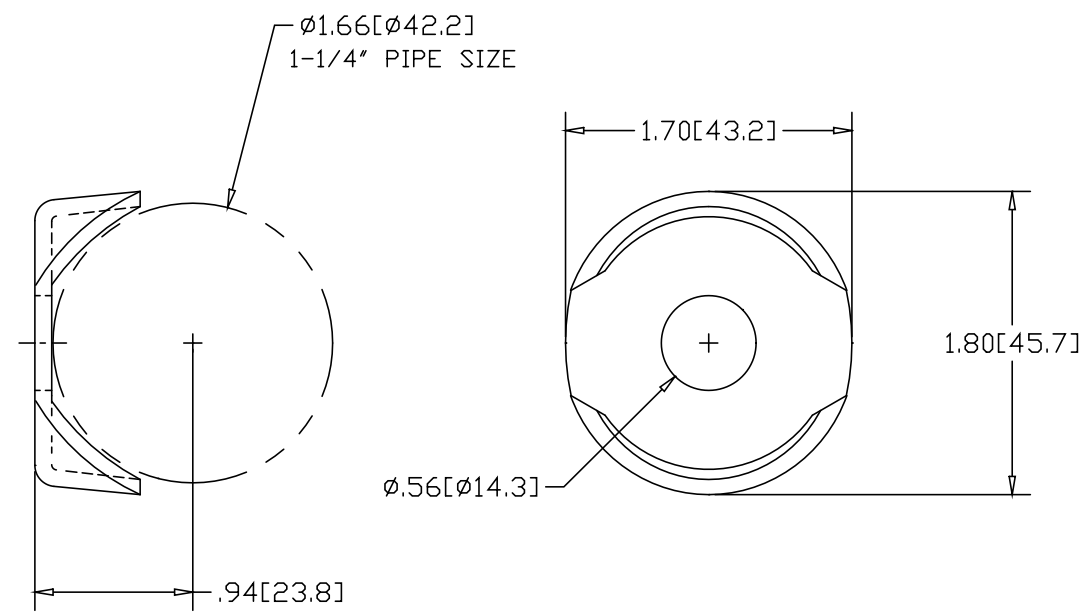



REVISIONS			
REV	DESCRIPTION	DATE	APPROVED



INCHES [MILLIMETERS]

ALTERNATE MATERIAL	PART NO.
13 GA. 304 STAINLESS STEEL ASTM A240	1921
.125 3003 ALUMINUM ASTM B209	1911

PART NAME		1-1/4" PIPE SIZE H-STYLE FILLER			
MATERIAL		13 GA. HRP&D STEEL ASTM A-569			
DATE	11/9/98	 R & B WAGNER, INC.			
DRAWN BY	RJF				
FINISH	MILL	SIZE	WEIGHT	PART NUMBER	REV
		A	.08 LBS	3535	