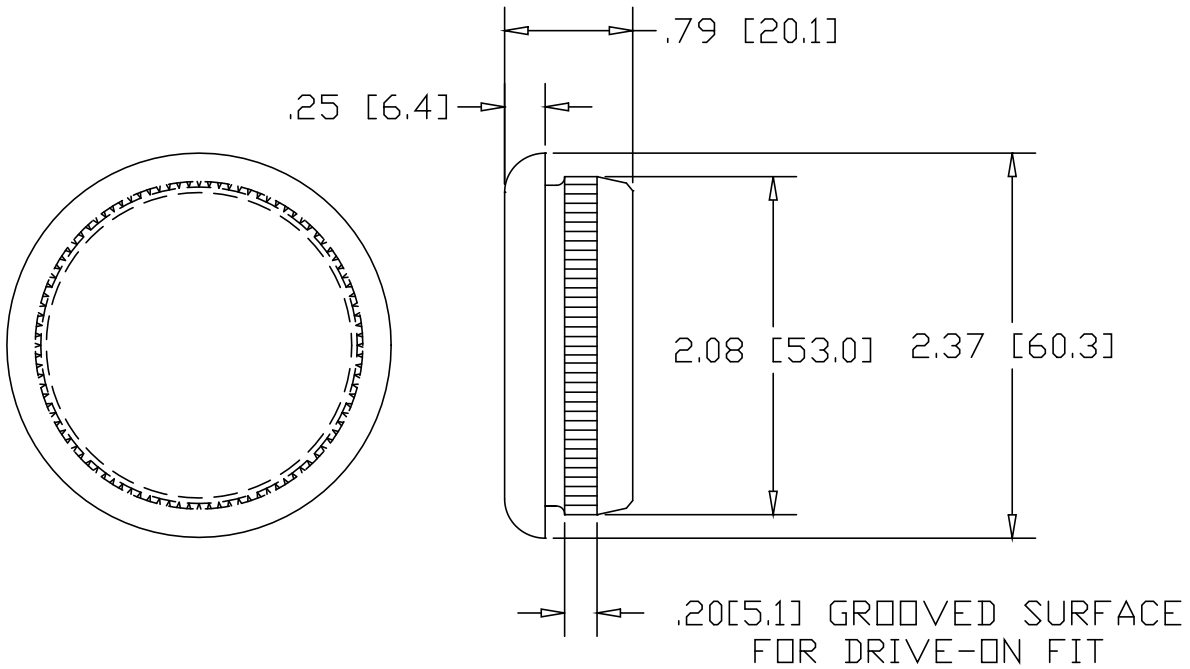
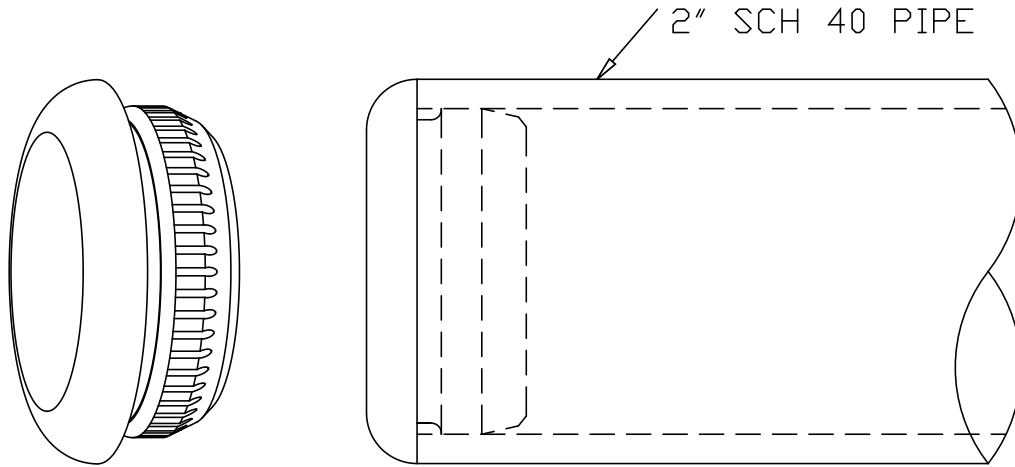



REV  
SH  
DWG NO 3299

REVISIONS			
REV	DESCRIPTION	DATE	APPROVED



INCHES [MILLIMETERS]

PART NAME 2" SCH 40 PIPE SIZE DRIVE-ON ALUMINUM CAP			
MATERIAL 6063 ALUMINUM			
DATE 11/06/03		<b>THE WAGNER COMPANIES</b> R & B WAGNER, INC. AND J. G. BRAUN CO.	
DRAWN BY RJF			
FINISH MILL	SIZE A	WEIGHT	PART NUMBER 3299
			REV