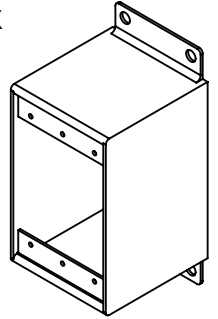


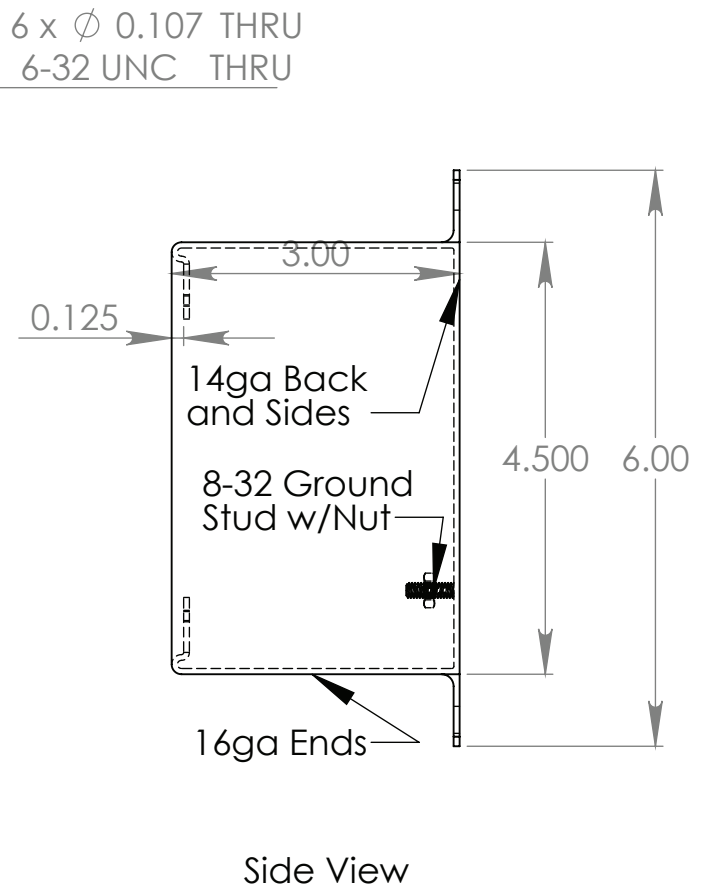
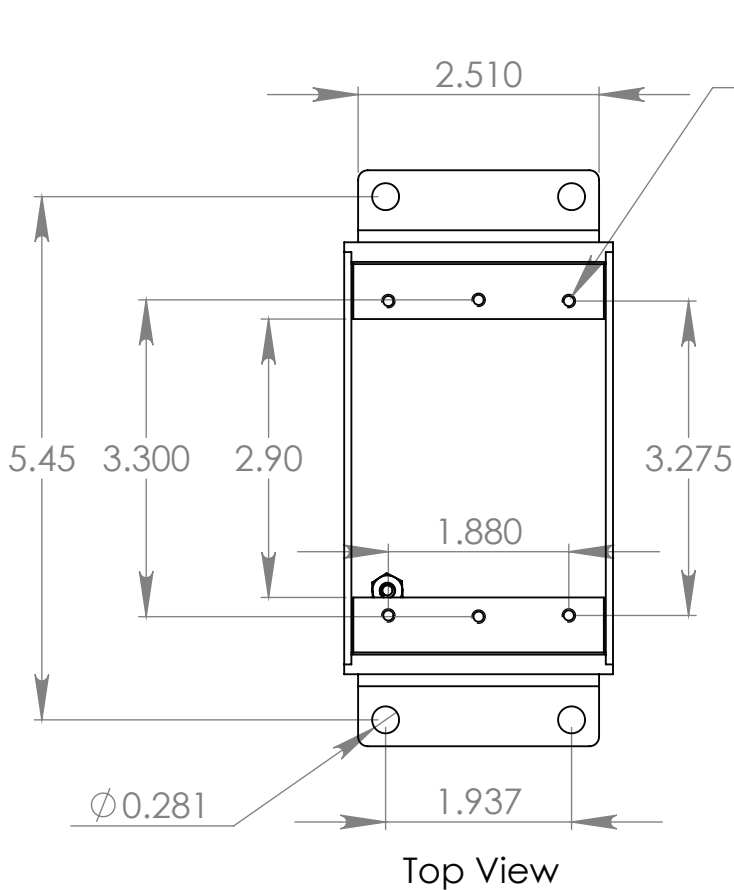
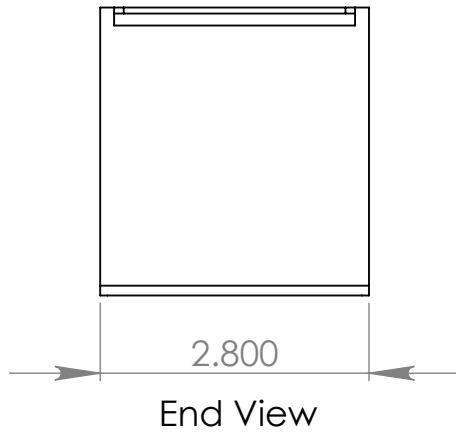
ENDURALL™

Single Gang Stainless Steel Junction and Device Box




Model Number:
BLM 1-04SS or
BLM 1-16SS

Volume: 30.1 cu.in.



U.S. Pat. No. 5,693,909
Canadian No. 2,207,796

| | | | | | | | |
|-------------|--|--------------------------------|--|---------------------------------------------------------------------------------------|--|----------------------------------------------------------|--|
| | | DIMENSIONS ARE IN INCHES | | NAME | | DATE | |
| | | TOLERANCES: | | DRAWN | | 8/10/09 | |
| | | ANGULAR $\pm .5$ | | CHECKED | | BLM 8/10/09 | |
| | | FRACTIONAL $\pm .031$ | | ENG APPR. | | | |
| | | TWO PLACE DECIMAL $\pm .030$ | | MFG APPR. | | | |
| | | THREE PLACE DECIMAL $\pm .015$ | | Q.A. | | | |
| | | MATERIAL | | COMMENTS: | | | |
| | | 304 or 316 SS | | | | | |
| DIM. CHANGE | | 4/10/17 | | | | | |
| REVISION | | DO NOT SCALE DRAWING | | | | | |
| | | | |  | | SIZE DWG. NO. A Single Gang SS Device Box REV. | |
| | | | | SCALE:1:2 | | WEIGHT: SHEET 1 OF 1 | |