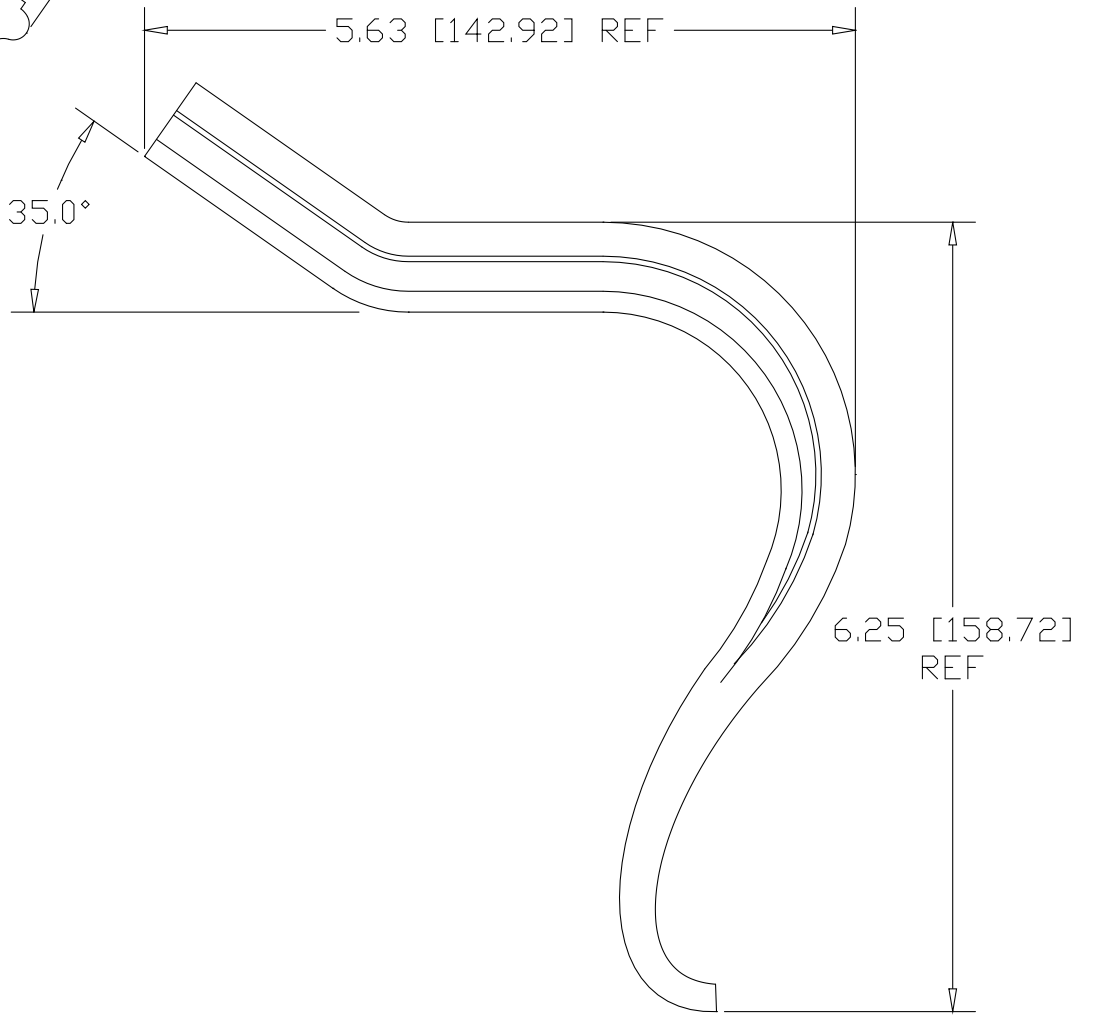
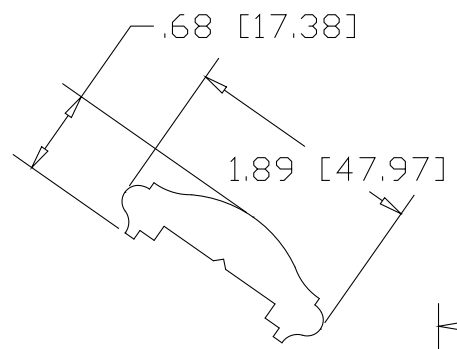



REV
SH
H5848H
DWG NO

REVISIONS			
REV	DESCRIPTION	DATE	APPROVED



INCHES [MILLIMETERS]

PART NAME LAMB'S TONGUE BEVELED TERMINAL END FOR H5848 OR H5813			
MATERIAL 85-3/5 ALLOY BRONZE			
DATE 7/10/03		THE WAGNER COMPANIES R & B WAGNER, INC. AND J. G. BRAUN CO.	
DRAWN BY RJF			
FINISH SATIN	SIZE A	WEIGHT 2.24 LBS	PART NUMBER H5848H
			REV