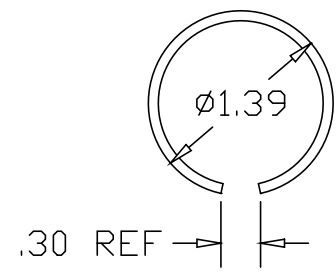
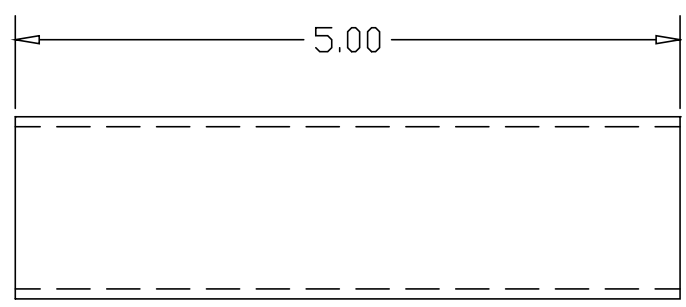
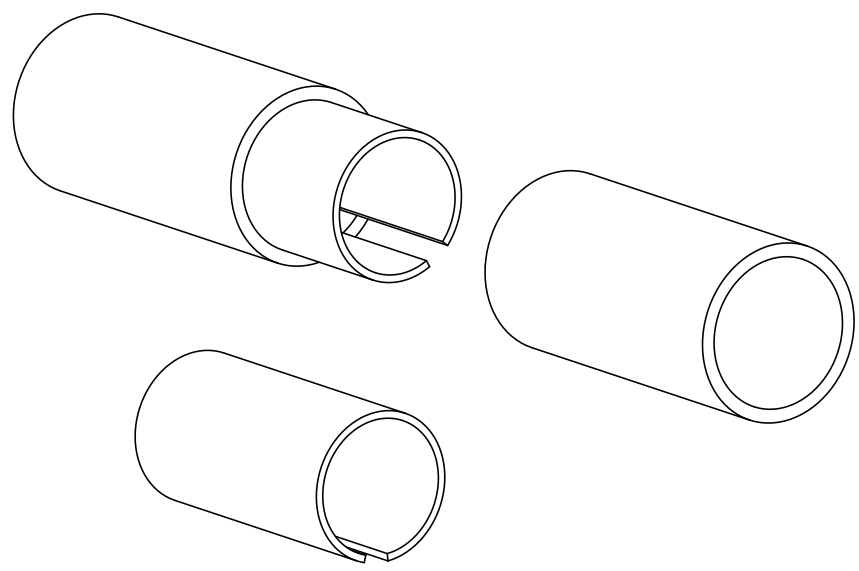



REV  
SH  
1220  
DWG NO

REVISIONS			
REV	DESCRIPTION	DATE	APPROVED



ALTERNATE MATERIAL	PART NUMBER
.080 (3003) ALUMINUM	1221
14 GA. (304) STAINLESS STEEL	1224

PART NAME 1-1/4" PIPE SIZE INSERT COUPLING			
MATERIAL 14 GA. HRP&O STEEL			
DATE 12/28/98		R & B WAGNER, INC.	
DRAWN BY RJF		FINISH MILL	SIZE A
PART NUMBER 1220		REV	