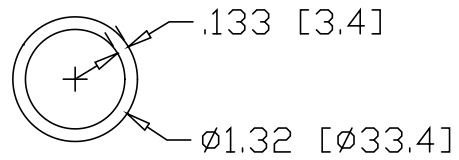
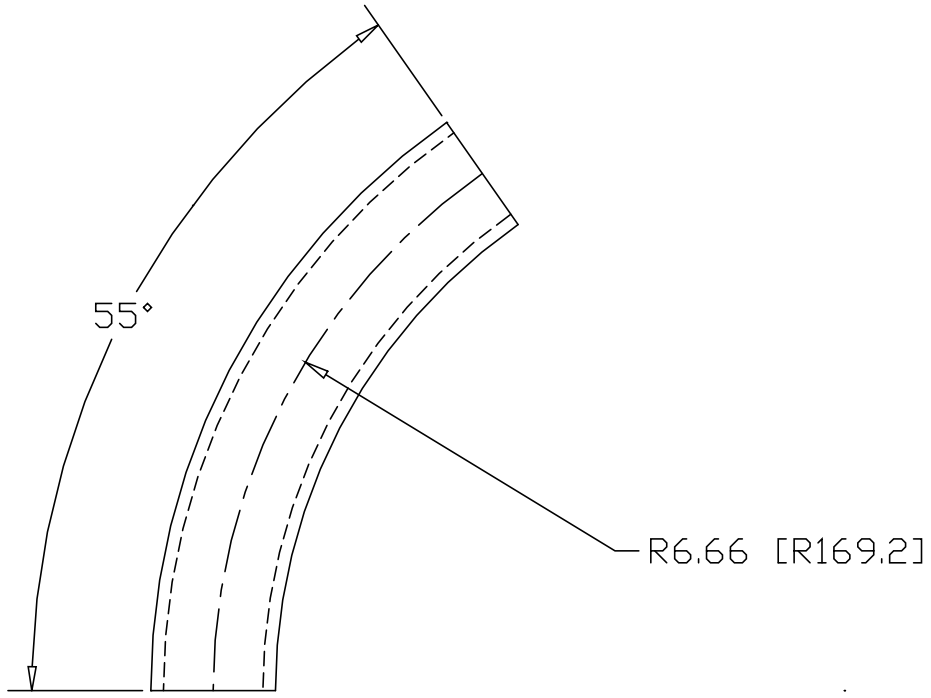



REV  
SH  
7405  
DWG NO

REVISIONS			
REV	DESCRIPTION	DATE	APPROVED



INCHES [MILLIMETERS]

ALTERNATE MATERIAL	PART NUMBER
1" SCH 40 (6063) ALUMINUM PIPE	7425
1" SCH 40 (304) STAINLESS STEEL PIPE	7445

PART NAME		1" PIPE SIZE 55° ELL X 6" I.R.					
MATERIAL		1" SCH 40 A53 STEEL PIPE					
DATE	7/5/01	 <b>R &amp; B WAGNER, INC.</b>					
DRAWN BY	JAH						
FINISH	MILL						
SIZE	A	WEIGHT	.90 LBS	PART NUMBER	7405	REV	