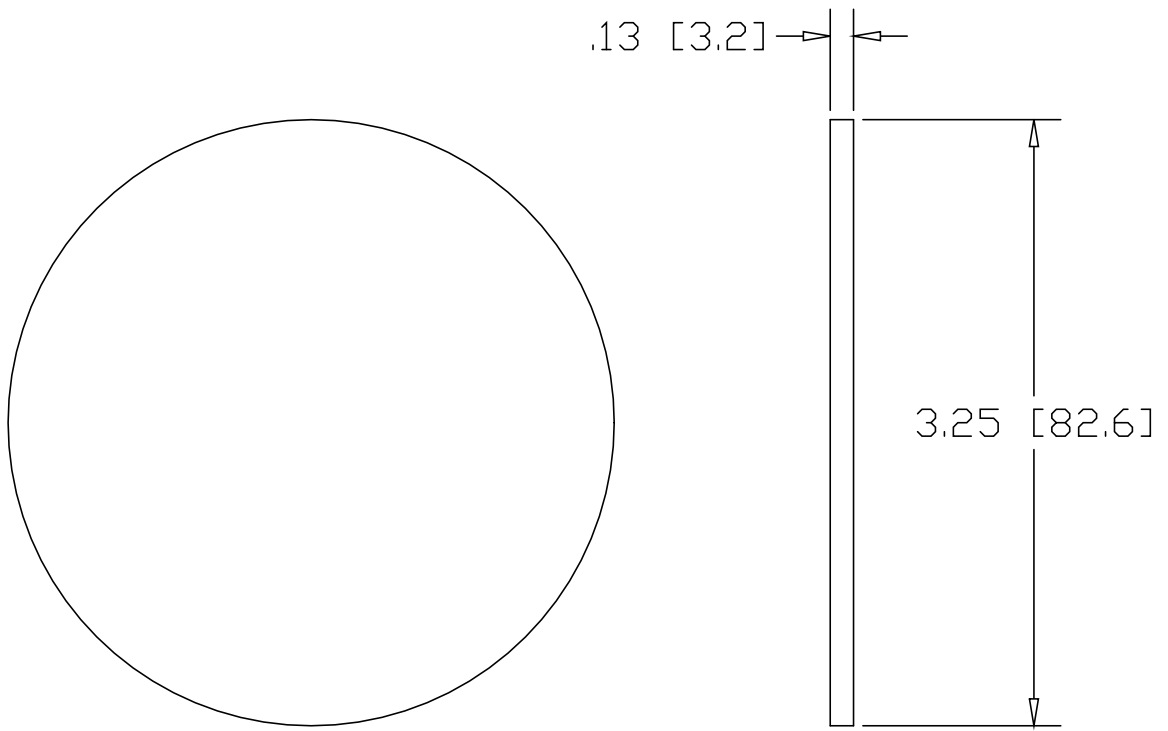


REV
SH
D150
DWG NO


REVISIONS

| REV | DESCRIPTION | DATE | APPROVED |
|-----|-------------|------|----------|
|-----|-------------|------|----------|



INCHES[MILLIMETERS]

| ALTERNATE MATERIAL | PART NUMBER |
|--|-------------|
| .125 (3003) ALUMINUM ASTM B209 | D151 |
| 10 GA. (304) STAINLESS STEEL ASTM A240 | D152 |
| .125 (260) BRASS ASTM B19,B36 | D153 |

| | | | | | | | |
|-----------|----------|---|---------|-------------|------|-----|--|
| PART NAME | | 3.25" OD TUBE SIZE TYPE-D WELD-ON DISK | | | | | |
| MATERIAL | | 10 GA. HRP&D STEEL ASTM A569 | | | | | |
| DATE | 11/20/98 |  THE WAGNER COMPANIES R & B WAGNER, INC. AND J. G. BRAUN CO. | | | | | |
| DRAWN BY | RJF | | | | | | |
| FINISH | MILL | | | | | | |
| SIZE | A | WEIGHT | .27 LBS | PART NUMBER | D150 | REV | |