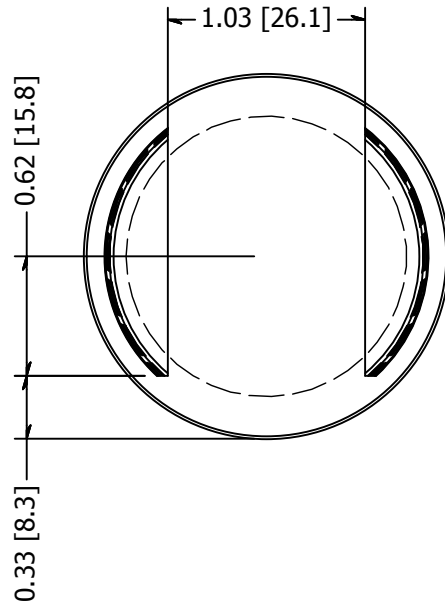
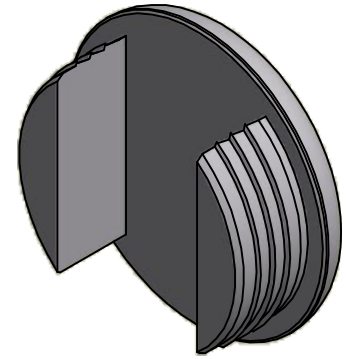
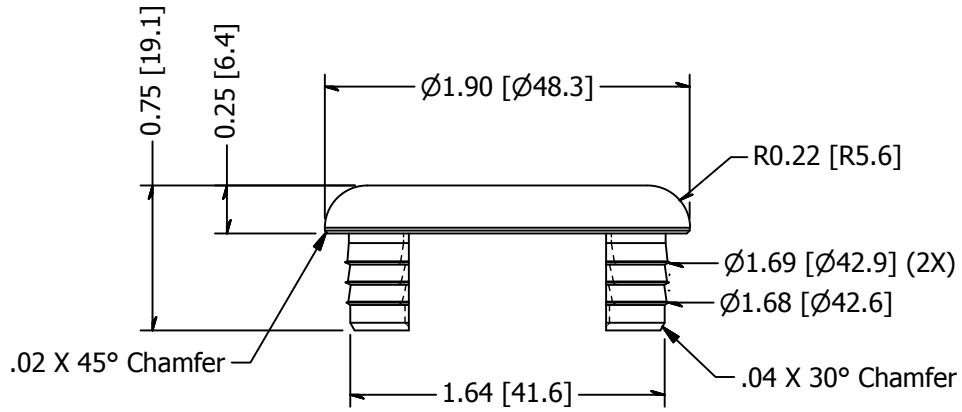


2



1



<b>TOLERANCE</b>  UNLESS OTHERWISE NOTED, TOLERANCES TO CONFORM TO ES.03.011	CUT LENGTH:	FINISH: #4 Satin Anodized	DESCRIPTION: CAP AL 1.90 CAPRAIL DRIVE-ON 63T52 MACHINED #4 ANODIZED	
	DEVELOPED LENGTH:	WEIGHT: 0.09 lbmass	MATERIAL: Aluminum 6063	MATERIAL DESC: 6063-T52 ALUMINUM
	TOOL NUMBER:		DATE: 3/6/2018	REV: -
			DRAWN BY: T. Kolbach	
			PART NUMBER: GR2190EM.AN	<b>WAGNER</b> COLLABORATIVE METALWORKS <a href="http://www.wagnercompanies.com/">http://www.wagnercompanies.com/</a>

2



1

B



A

B



A