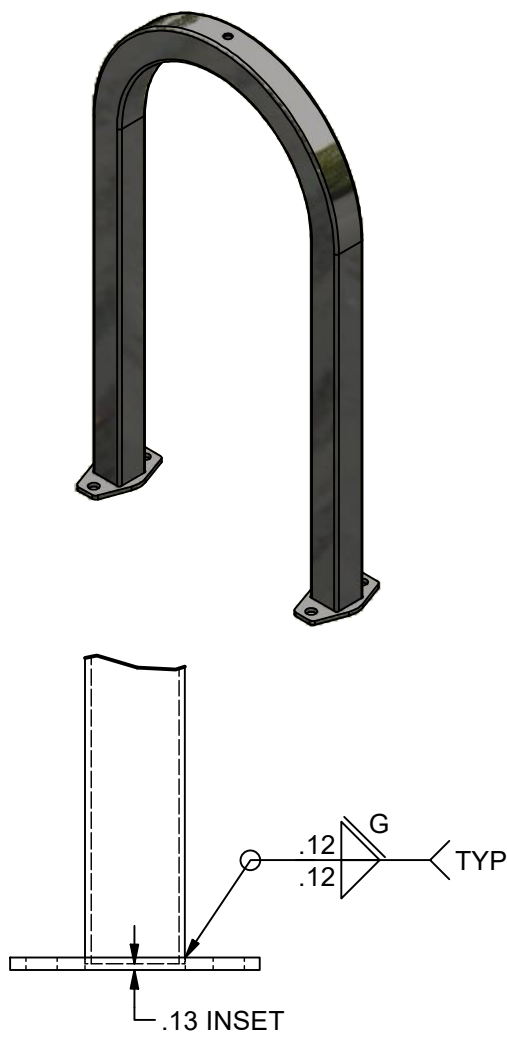
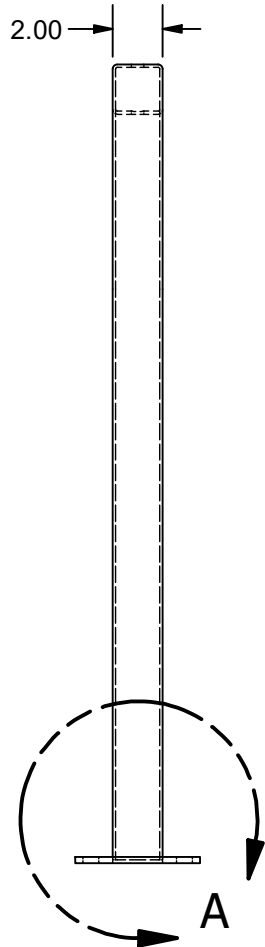
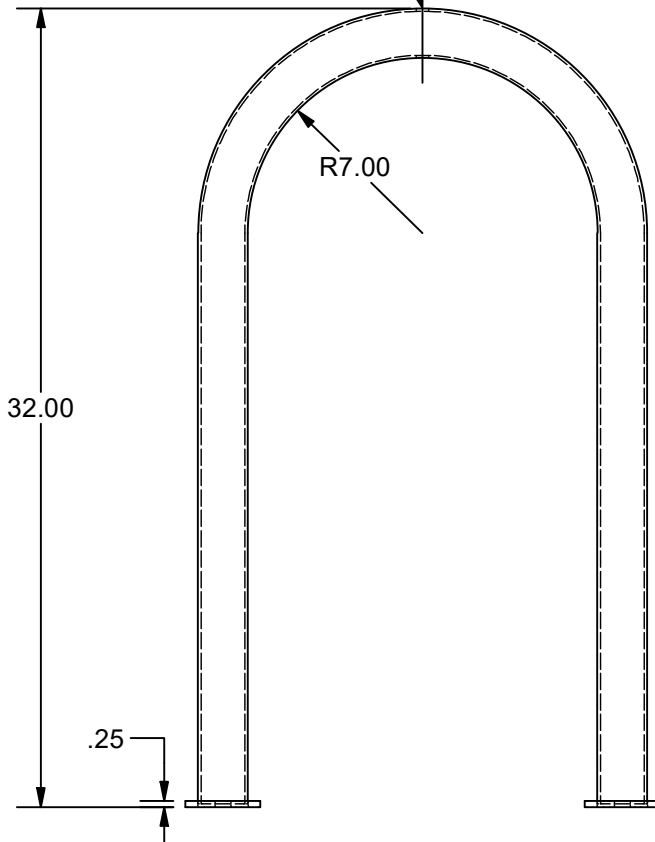
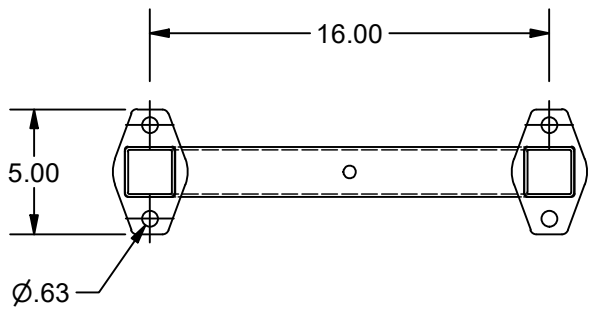


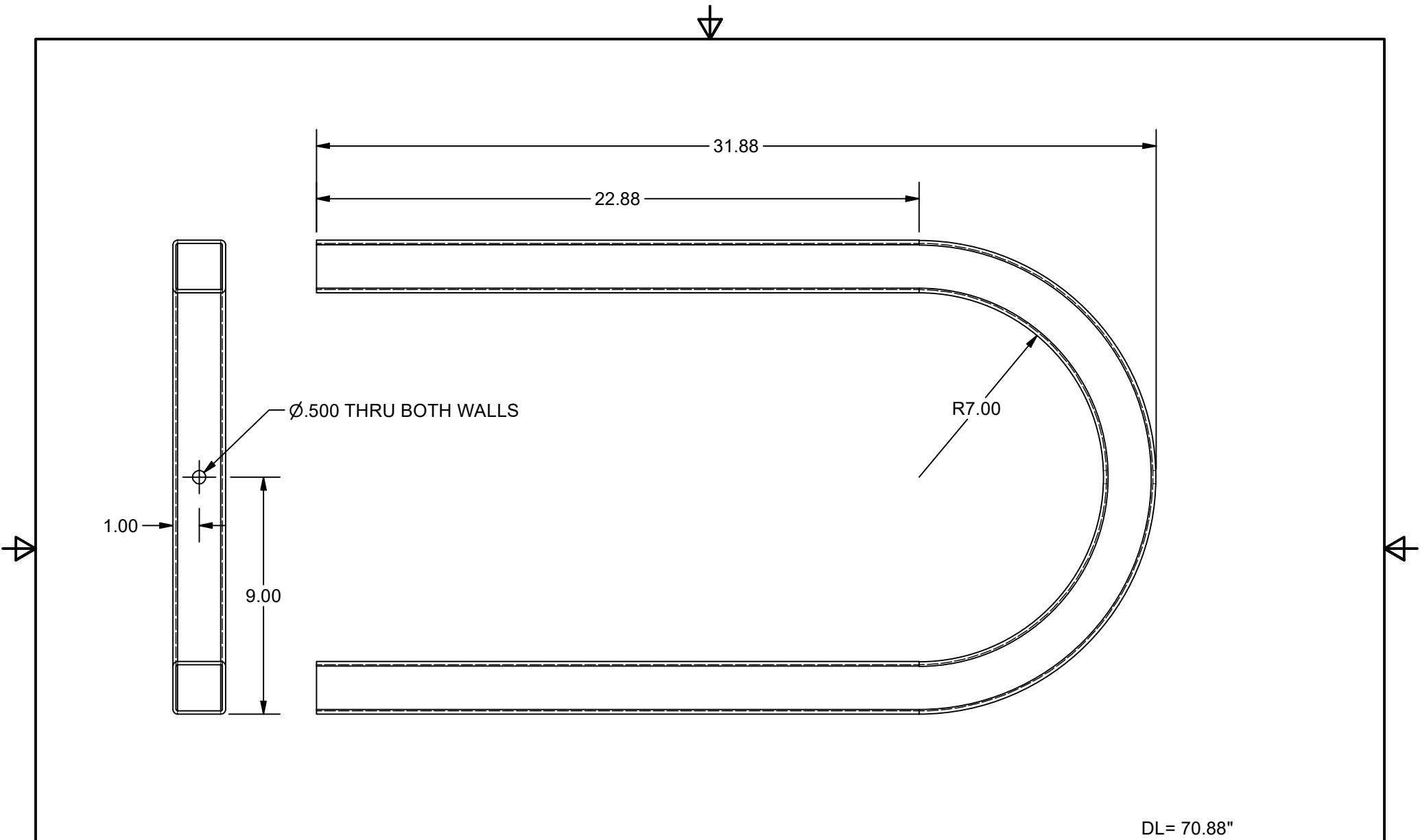
Ø.50 VENT HOLE
THRU BOTH WALLS,
PLUG TOP HOLE ONLY
AFTER GALVANIZING.




DETAIL A



NAME		BIKE RACK, SQUARE		
MATERIAL		2.00" SQUARE X .120W STEEL TUBE		
DATE	6/2/2021	COLLABORATIVE METAL WORKS		
DRAWN	RJF			
FINISH		WAGNER		
HOT DIP GALVANIZED		SIZE	WEIGHT	PART NUMBER
		A	19.051 LBS	BRSQ
				REV



DL= 70.88"

NAME		BIKE RACK, SQUARE		
MATERIAL		2.00" SQUARE X .120W STEEL TUBE		
DATE	6/2/2021	 WAGNER COLLABORATIVE METAL WORKS		
DRAWN	RJF			
FINISH	HOT DIP GALVANIZED	SIZE	WEIGHT	PART NUMBER
		A	19.051 LBS	BRSQ
				REV