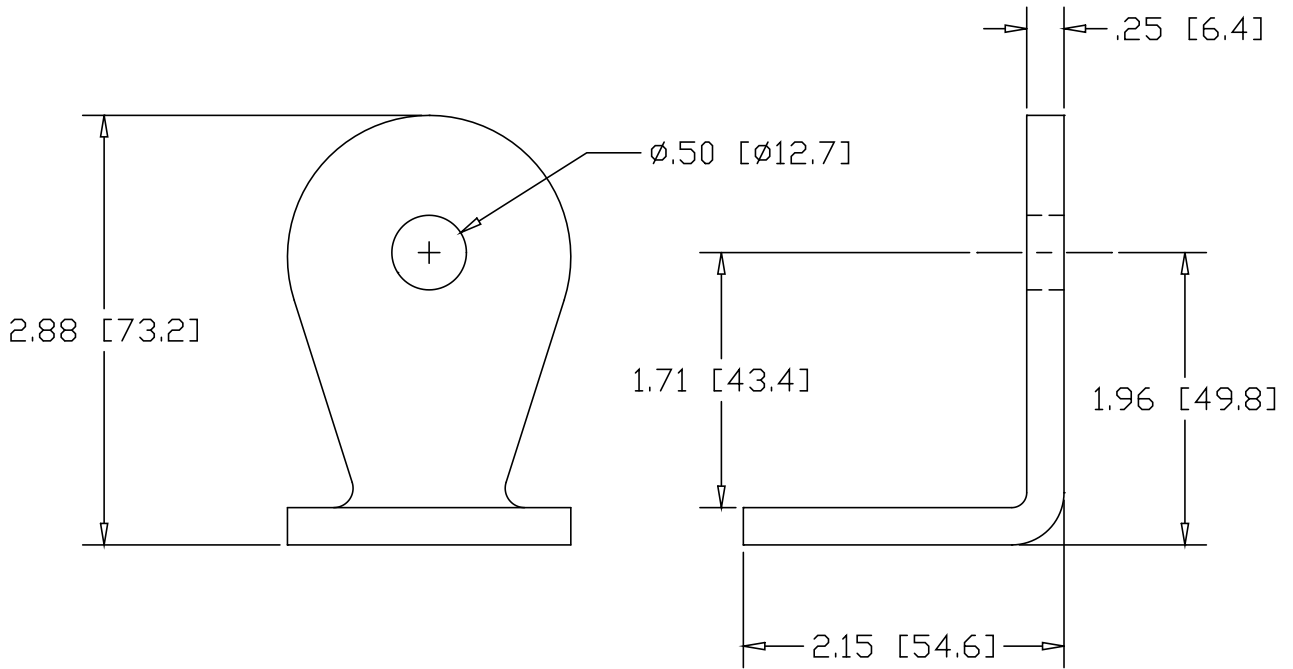
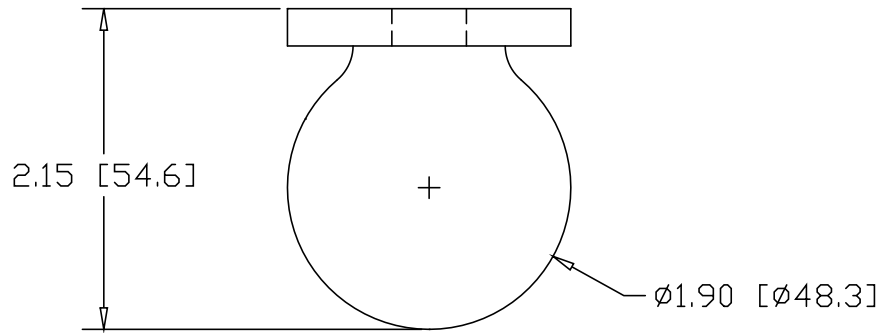



REV
SH
5024
DWG NO

REVISIONS			
REV	DESCRIPTION	DATE	APPROVED



PART NAME		1-1/2" WELD-ON POST BRACKET					
MATERIAL		.250 HRP&D STEEL ASTM A569					
DATE	9/12/03	 THE WAGNER COMPANIES R & B WAGNER, INC. AND J. G. BRAUN CO.					
DRAWN BY	RJF						
FINISH	MILL						
SIZE	A	WEIGHT	.46 LBS	PART NUMBER	5024	REV	