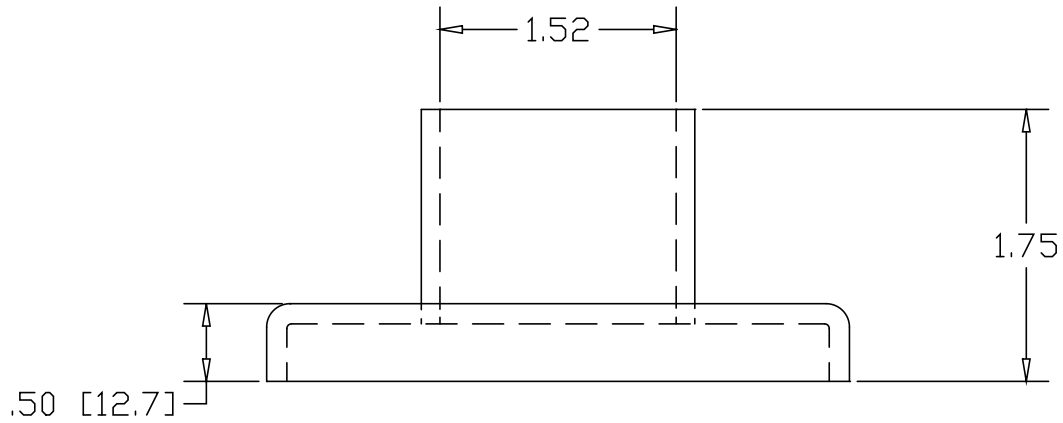
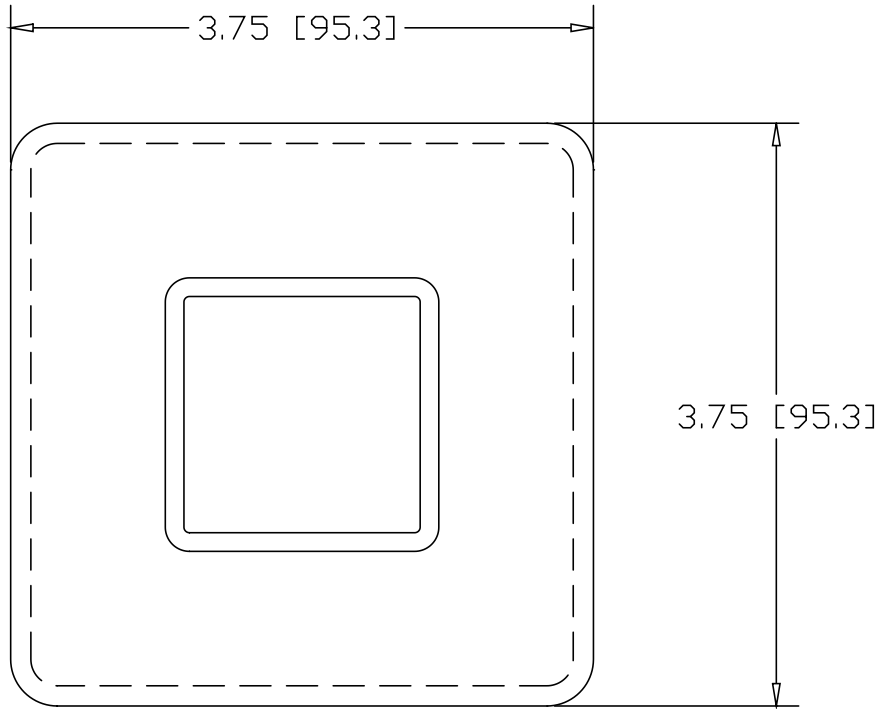



REV
SH
8913
DWG NO

REVISIONS			
REV	DESCRIPTION	DATE	APPROVED



INCHES [MILLIMETERS]

ALTERNATE MATERIAL	PART NUMBER
.125 (3003) ALUMINUM ASTM B-209	8937

PART NAME				1-1/2" SQUARE TUBE SOCKET FLANGE		
MATERIAL				10 GA. HRP&D STEEL ASTM A-569		
DATE	3/16/95					
DRAWN BY	RJF					
FINISH	MILL					
SIZE	A	WEIGHT	.79 LBS	PART NUMBER	8913	REV