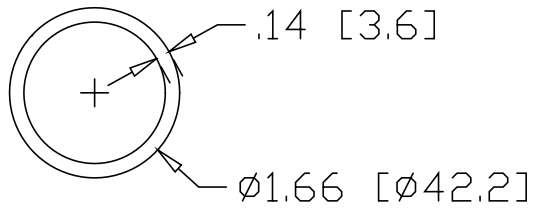
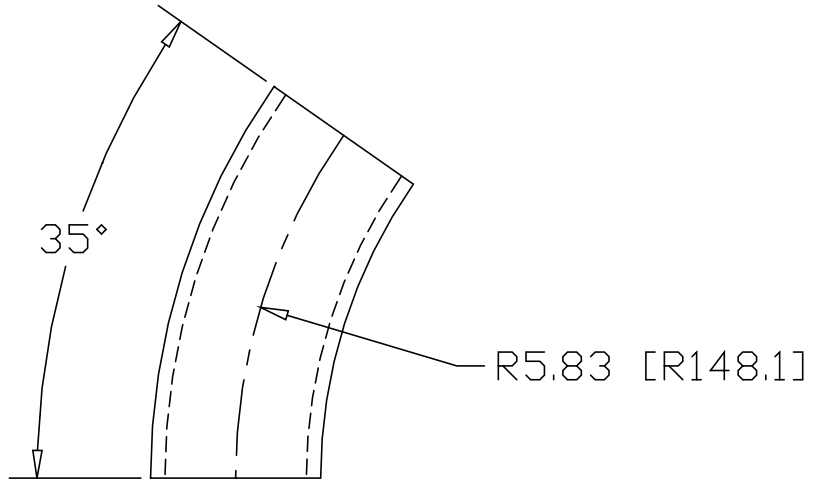



REV  
SH  
7061  
DWG NO

REVISIONS			
REV	DESCRIPTION	DATE	APPROVED



INCHES [MILLIMETERS]

ALTERNATE MATERIAL	PART NUMBER
1-1/4" SCH 40 (6063) ALUMINUM PIPE	7081
1-1/4" SCH 40 (304) STAINLESS STEEL PIPE	7101

PART NAME		1-1/4" PIPE SIZE 35° ELL X 5" I.R.		
MATERIAL		1-1/4" SCH 40 A53 STEEL PIPE		
DATE	7/02/01	 <b>R &amp; B WAGNER, INC.</b>		
DRAWN BY	JAH			
FINISH	MILL			
SIZE	WEIGHT	PART NUMBER	REV	
A	.68 LBS	7061		