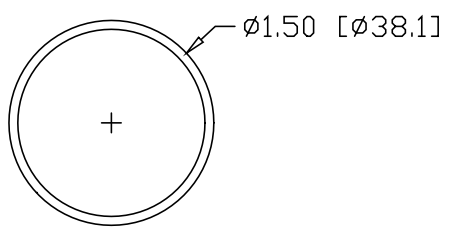
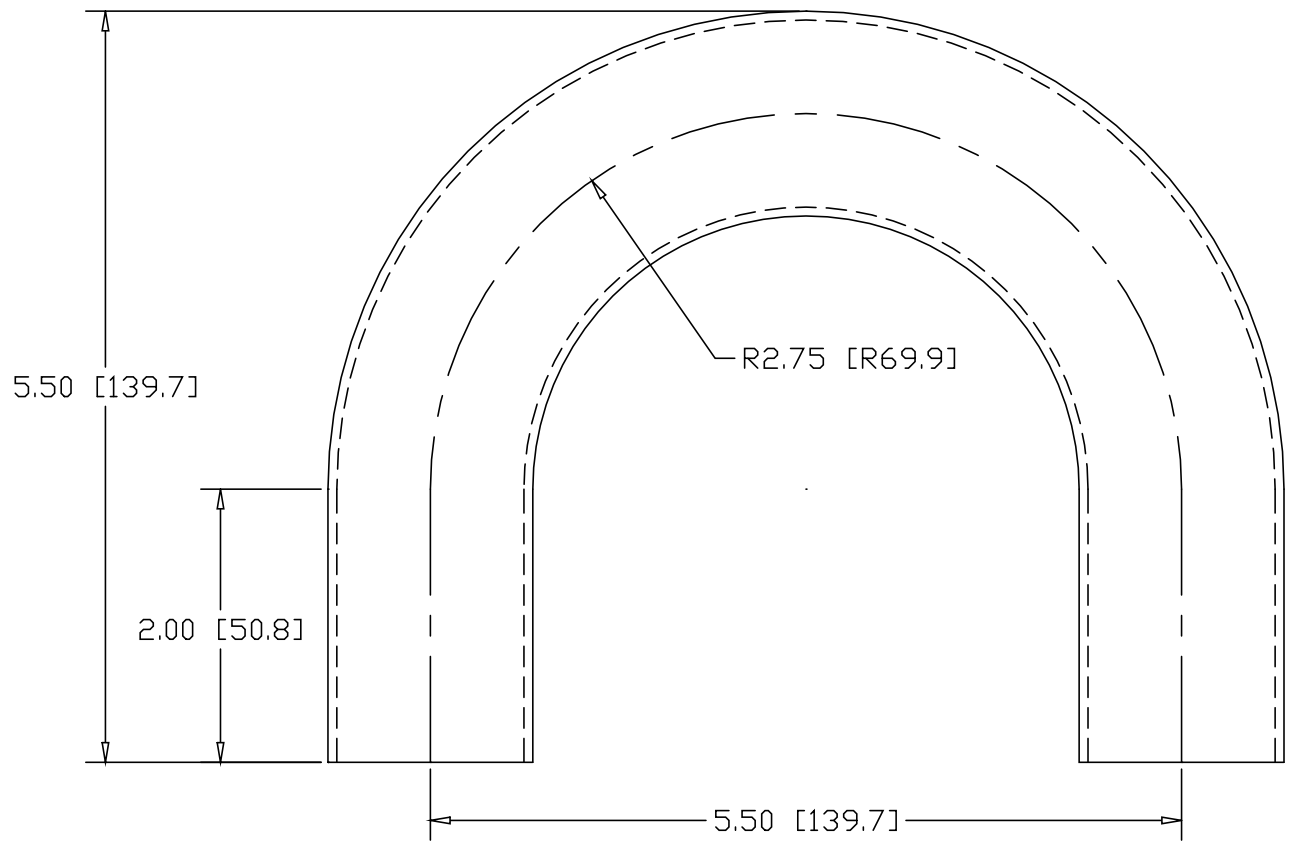



REV
SH
7913
DWG NO

REVISIONS			
REV	DESCRIPTION	DATE	APPROVED



INCHES [MILLIMETERS]

ALTERNATE MATERIAL		PART NUMBER					
1.50" O.D. X .125W (6061-T1) ALUMINUM TUBE		7929					
1.50" O.D. X .065W (304) STAINLESS STEEL TUBE		7945					
PART NAME 1.50" O.D. TUBE 180° ELL X 2.75" CLR W/(2) 2" TANGENTS							
MATERIAL 1.50" O.D. X .065W STEEL TUBE							
DATE	8/15/00	 R & B WAGNER, INC.					
DRAWN BY	RJF						
FINISH	MILL						
SIZE	A	WEIGHT	1.05 LBS	PART NUMBER	7913	REV	