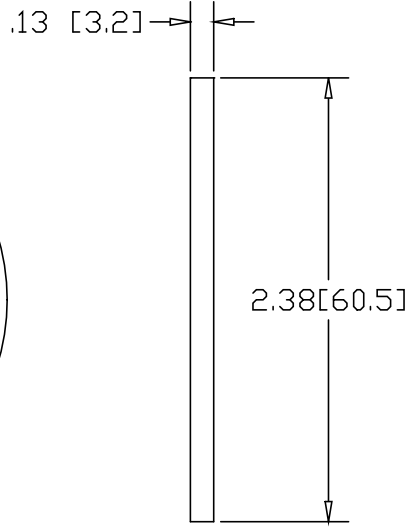
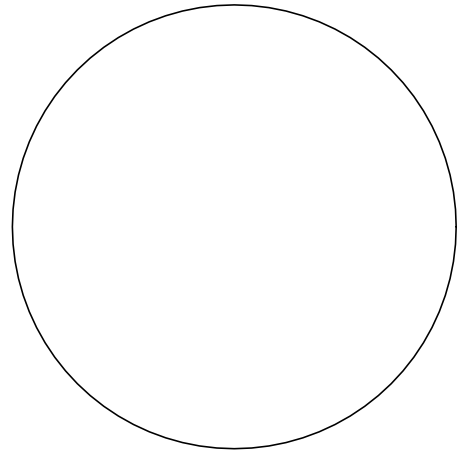
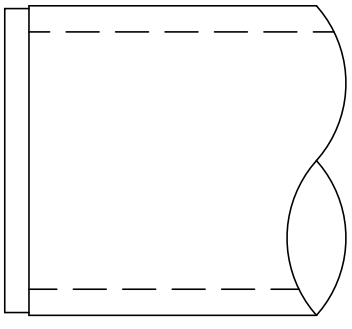
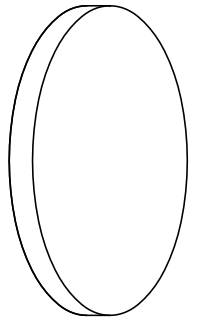



REV
SH
DWG NO D105

| REVISIONS | | | |
|-----------|-------------|------|----------|
| REV | DESCRIPTION | DATE | APPROVED |



INCHES [MILLIMETERS]

| ALTERNATE MATERIAL | PART NUMBER |
|--|-------------|
| .125 (3003) ALUMINUM ASTM B209 | D106 |
| 10 GA. (304) STAINLESS STEEL ASTM A240 | D107 |
| .125 (260) BRASS ASTM B19,B36 | D108 |

| | | | | |
|--|---|---|------------------|-----|
| PART NAME 2" PIPE SIZE TYPE-D WELD-ON DISK | | | | |
| MATERIAL 10 GA. HRP&D STEEL ASTM A569 | | | | |
| DATE 10/11/96 |  | THE WAGNER COMPANIES R & B WAGNER, INC. AND J. G. BRAUN CO. | | |
| DRAWN BY RJF | | | | |
| FINISH MILL | SIZE A | WEIGHT .15 LBS | PART NUMBER D105 | REV |