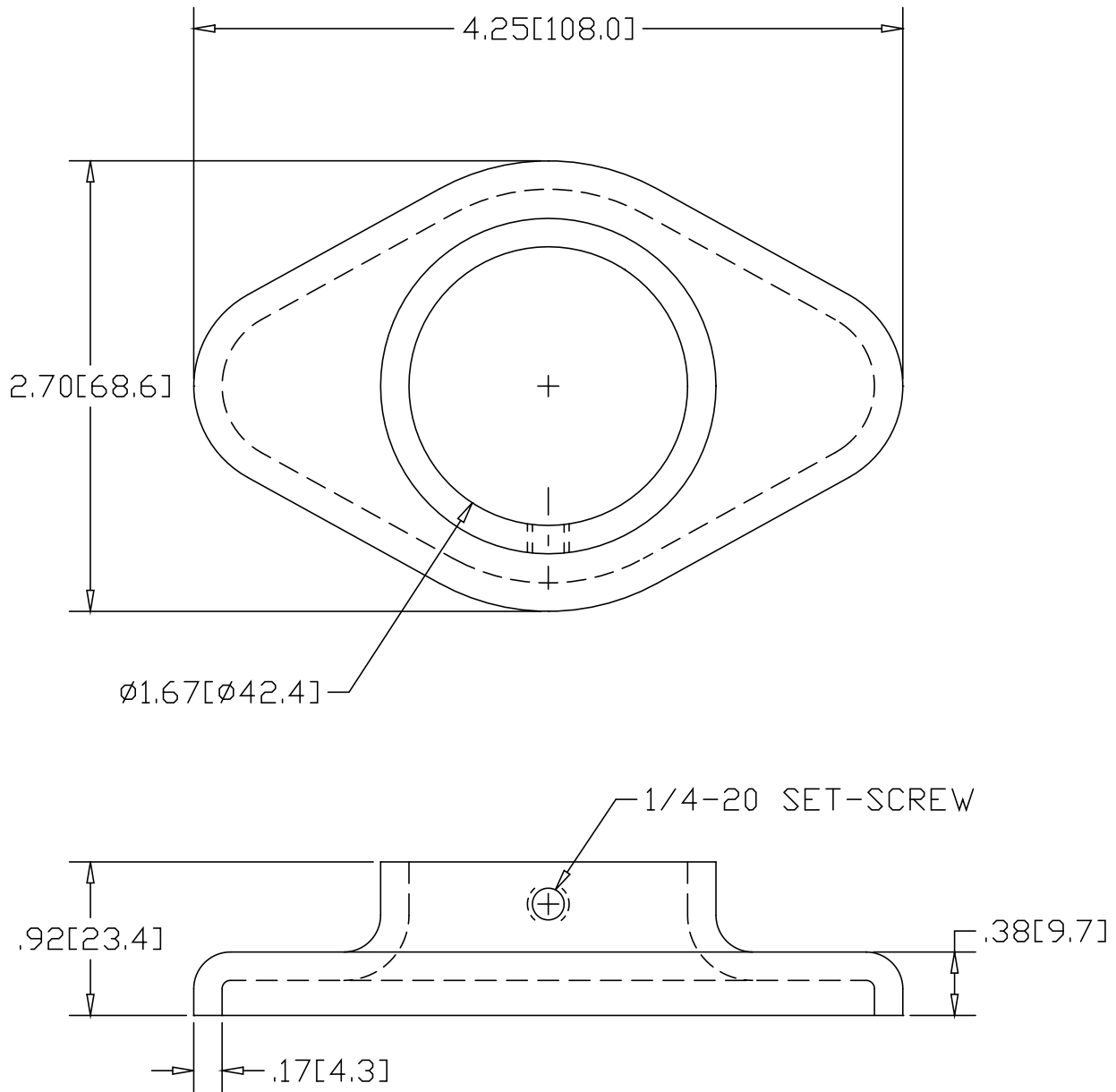



REV
SH
4912
DWG NO

REVISIONS			
REV	DESCRIPTION	DATE	APPROVED



INCHES [MILLIMETERS]

ALTERNATE MATERIAL	PART NUMBER
.190 (3003) ALUMINUM ASTM B209	4942
7 GA. (304) STAINLESS STEEL ASTM A240	4972

PART NAME 1-1/4" PIPE SIZE TAPERED HEAVY BASE FLANGE WITH SET-SCREW			
MATERIAL 7 GA. HRP&D STEEL ASTM A569			
DATE 5/22/95		R & B WAGNER, INC.	
DRAWN BY RJF		SIZE A	WEIGHT .41 LBS
FINISH MILL			REV