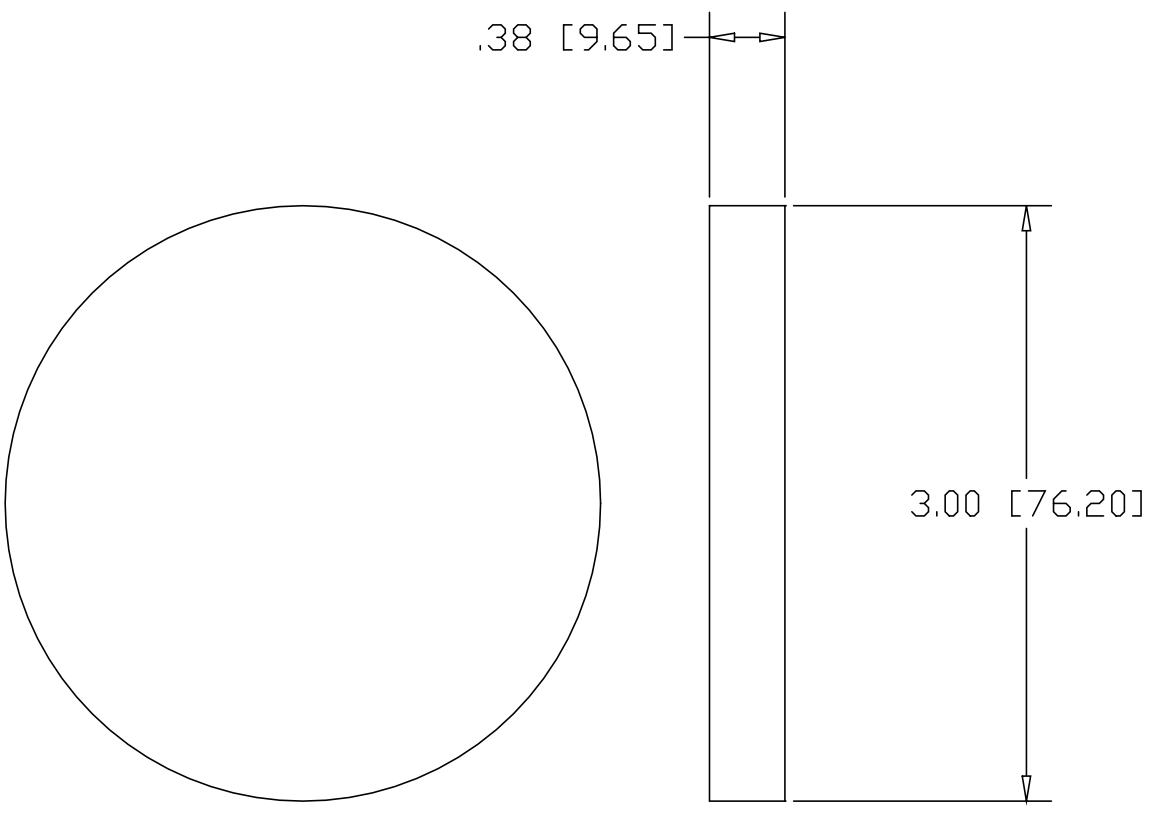



REV  
SH  
DWG NO D500

REVISIONS			
REV	DESCRIPTION	DATE	APPROVED



INCHES [MILLIMETERS]

PART NAME		HEAVY ROUND STEEL DISK					
MATERIAL		.375" STEEL PLATE A36					
DATE	10/13/03		<b>THE WAGNER COMPANIES</b> R & B WAGNER, INC. AND J. G. BRAUN CO.				
DRAWN BY	DGP						
FINISH	MILL						
SIZE	A	WEIGHT	.80 LBS	PART NUMBER	D500	REV	