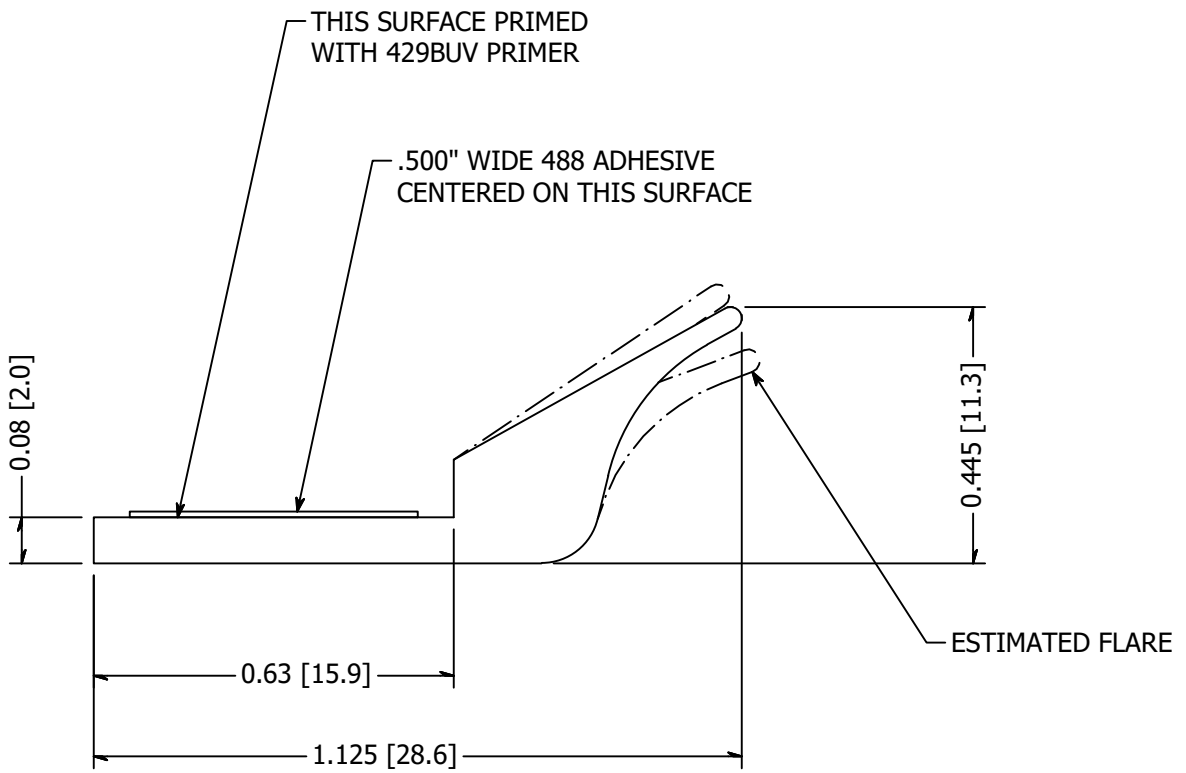
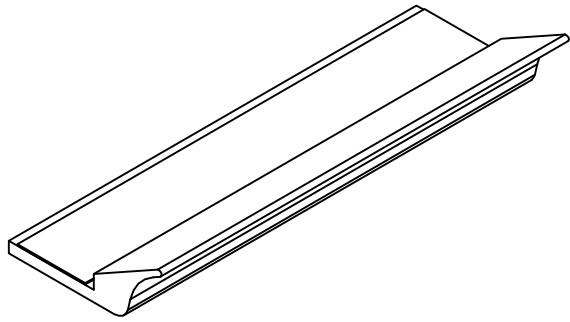



REVISION HISTORY				
ZONE	REV	DESCRIPTION	DATE	APPROVED
	-	INITAL RELEASE	2/12/2010	
	1	REVISED OVERALL WIDTH, REDRAWN IN CAD	1/8/2019	



MATERIAL: EPDM, 60D	DESCRIPTION: GASKET, EPDM, 60 DUOMETER, ADHESIVE			
FINISH:	DATE: 1/8/2019	SCALE: 3 : 1	REV: 1	 10600 W Brown Deer Rd Milwaukee, WI 53224 <a href="http://www.wagnercompanies.com/">http://www.wagnercompanies.com/</a>
WEIGHT: N/A	ITEM NUMBER: GR9302			