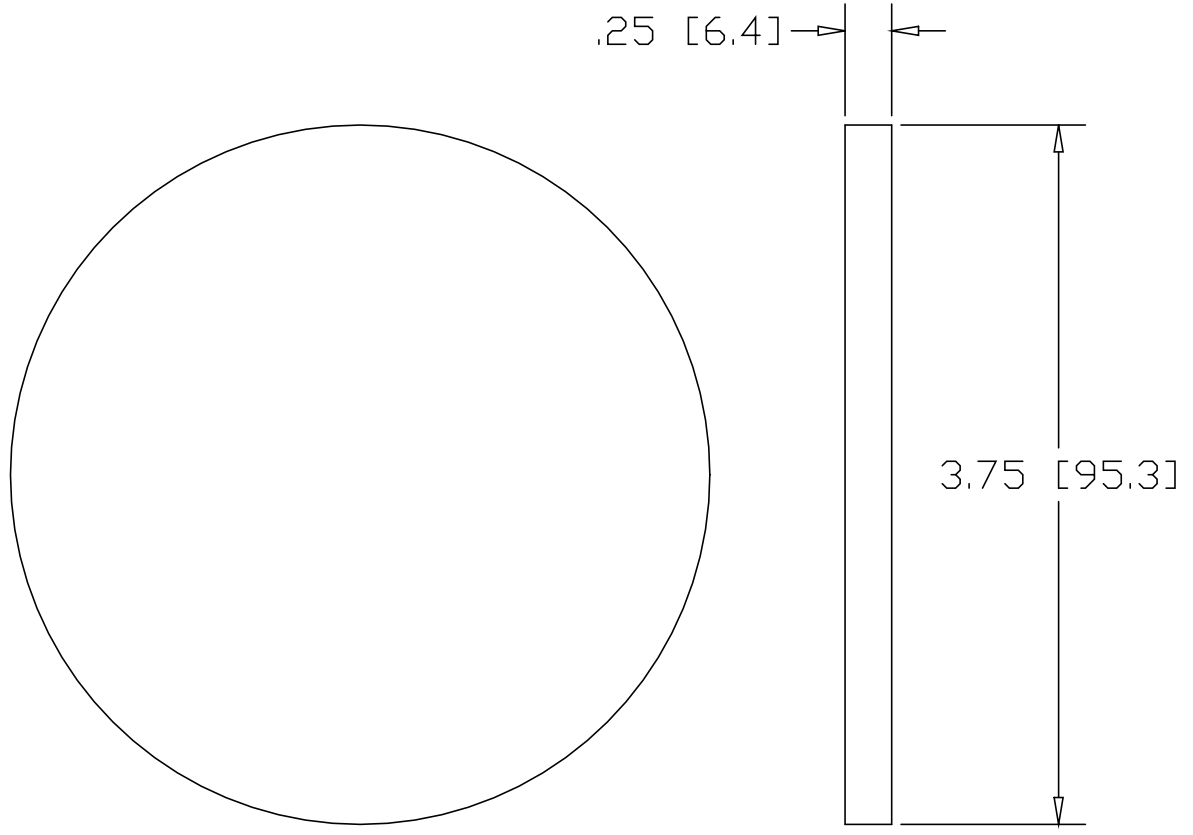



REV  
SH  
D188  
DWG NO

REVISIONS			
REV	DESCRIPTION	DATE	APPROVED



INCHES[MILLIMETERS]

ALTERNATE MATERIAL	PART NUMBER
.250 (3003) ALUMINUM ASTM B209	D189
.250 (304) STAINLESS STEEL ASTM A240	D190
.250 (260) BRASS ASTM B19,B36	D191

PART NAME 3.75" OD TUBE SIZE TYPE-D WELD-ON DISK			
MATERIAL .250 HRP&D STEEL ASTM A569			
DATE 11/20/98		<b>THE WAGNER COMPANIES</b> R & B WAGNER, INC. AND J. G. BRAUN CO.	
DRAWN BY RJF			
FINISH MILL			
SIZE A	WEIGHT .72 LBS	PART NUMBER D188	REV