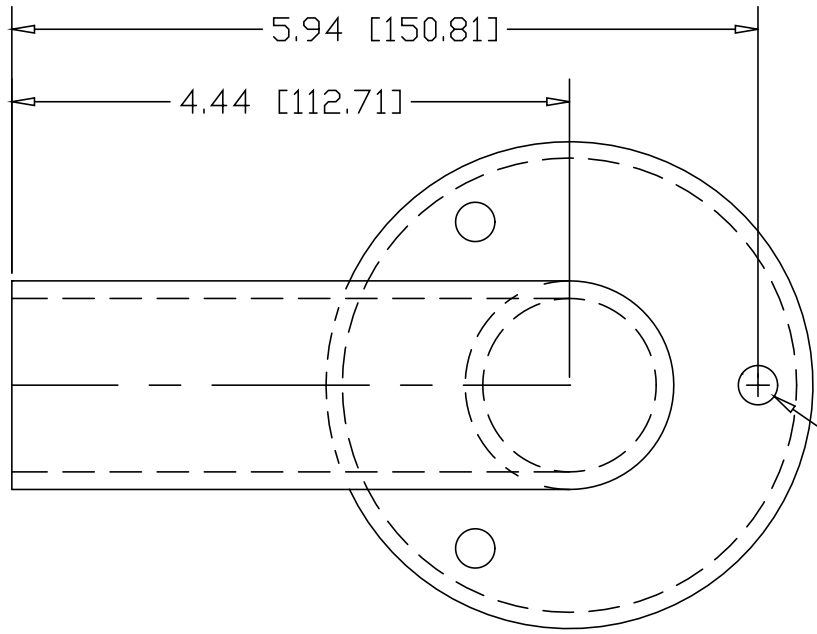
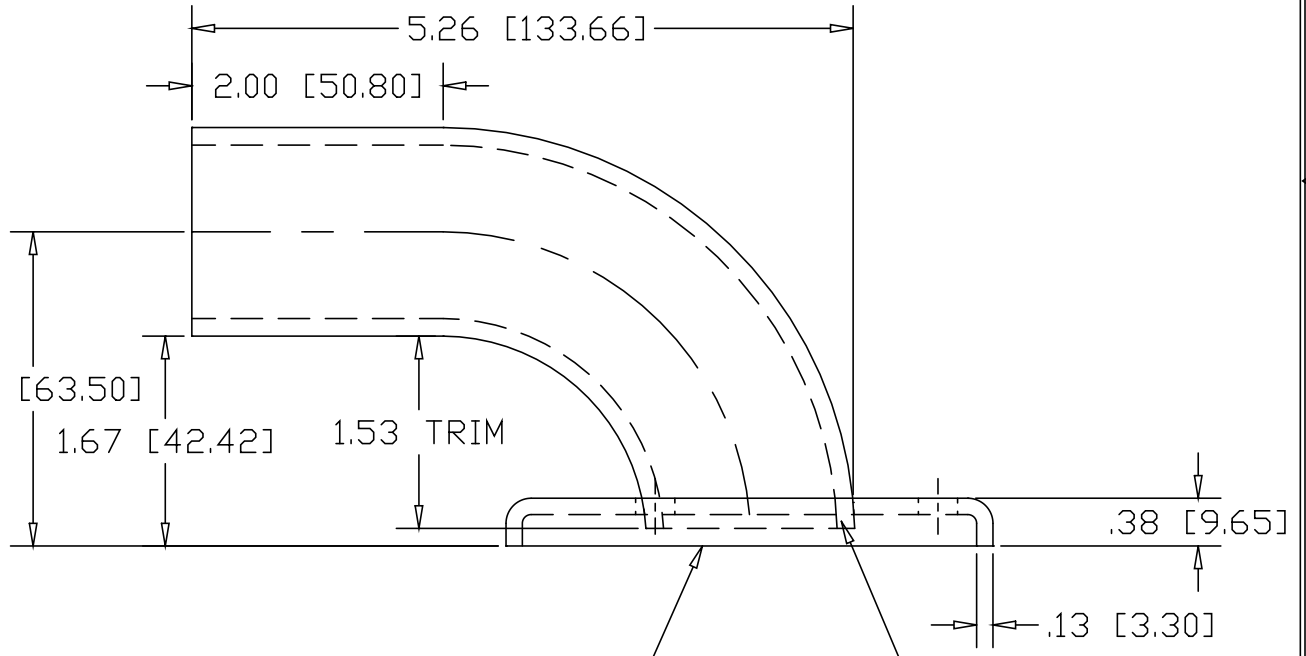


REV  
SH  
1115-3  
DWG NO

REVISIONS			
REV	DESCRIPTION	DATE	APPROVED



Ø0.31 TYP  
(3) HOLES ON  
Ø3.00 B.C.



HEAVY FLUSH BASE  
PIPE FLANGE #2607A

WELD  
1/2" LONG  
(3) PLACES

INCHES [MILLIMETERS]

PART NAME 1-1/4" PIPE SIZE X 2.50CL WALL RETURN W/3 HOLES			
MATERIAL STAINLESS STEEL ASTM-A312			
DATE 12/27/02		<b>THE WAGNER COMPANIES</b> R & B WAGNER, INC. AND J. G. BRAUN CO.	
DRAWN BY JAH			
FINISH #4 SATIN			
SIZE A	WEIGHT	PART NUMBER 1115-3	REV