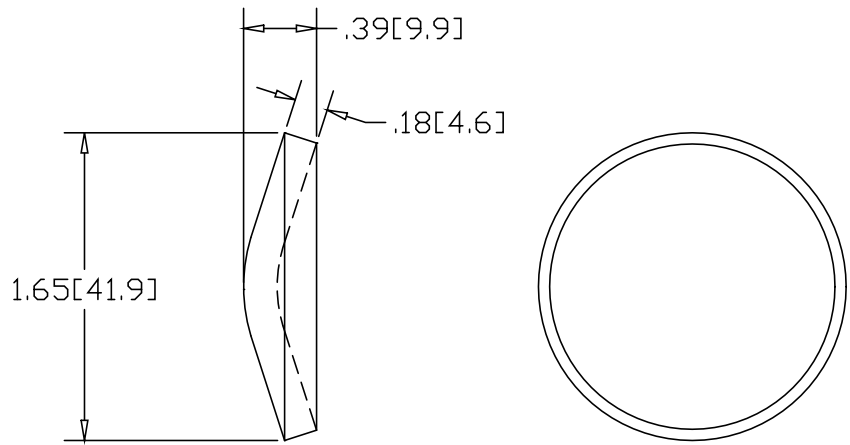



REV
SH
3228-F
DWG NO

REVISIONS			
REV	DESCRIPTION	DATE	APPROVED



INCHES [MILLIMETERS]

ALTERNATE MATERIAL	PART NUMBER
.190 (3003) ALUMINUM ASTM B209	3248-F
7 GA 304 STAINLESS STEEL ASTM A240	3268-F

PART NAME 1-1/4" PIPE SIZE TYPE-F DISHED WELD-ON DISK				
MATERIAL 7 GA. HRP&O STEEL ASTM A569				
DATE 10/11/96	 THE WAGNER COMPANIES R & B WAGNER, INC. AND J. G. BRAUN CO.			
DRAWN BY RJF				
FINISH MILL		SIZE A	WEIGHT .11 LBS	PART NUMBER 3228-F
			REV	