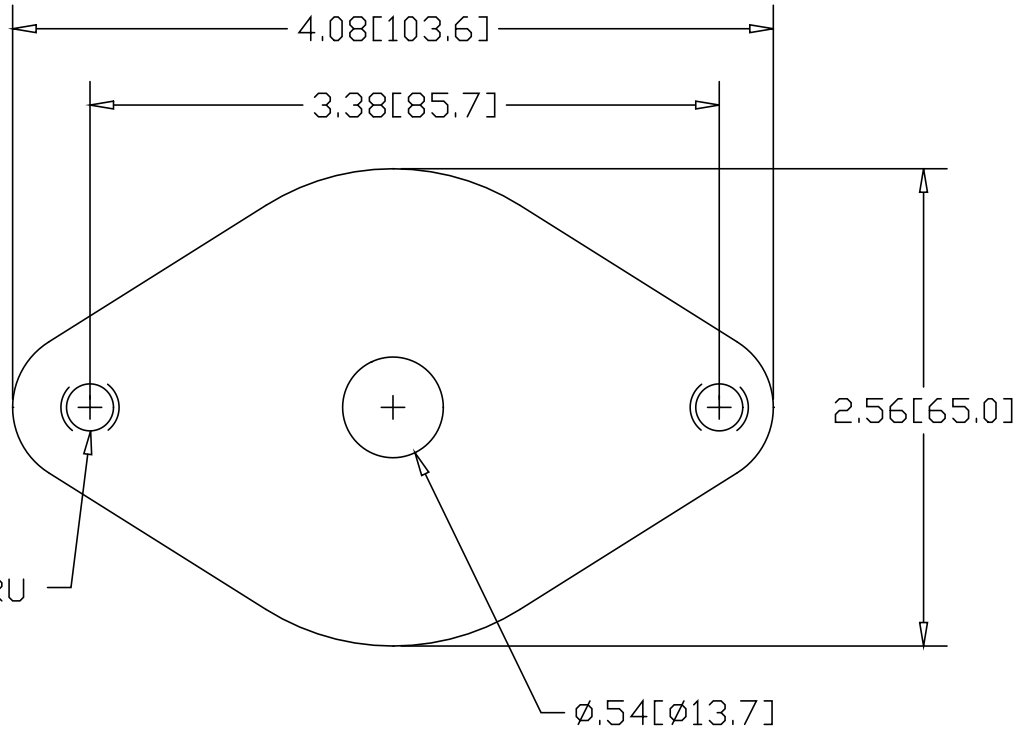


REV
SH
4919
DWG NO


REVISIONS			
REV	DESCRIPTION	DATE	APPROVED



* INCLUDES (2) 5/16-18 X 3/8" ROUND HEAD MACHINE SCREWS

INCHES [MILLIMETERS]

ALTERNATE MATERIAL	PART NUMBER
.190 (3003) ALUMINUM ASTM B209	4949
7 GA. (304) STAINLESS STEEL ASTM A240	4979

PART NAME		TAPERED ANCHOR PLATE		
MATERIAL		7 GA. HRP&O STEEL ASTM A569		
DATE	7/10/95	 R & B WAGNER, INC.		
DRAWN BY	RJF			
FINISH	MILL	SIZE	WEIGHT	PART NUMBER
		A	.32 LBS	4919
				REV