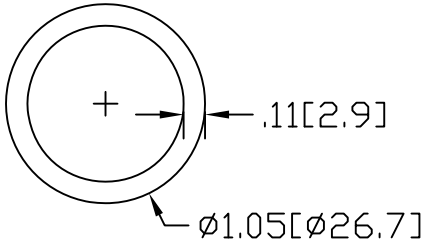
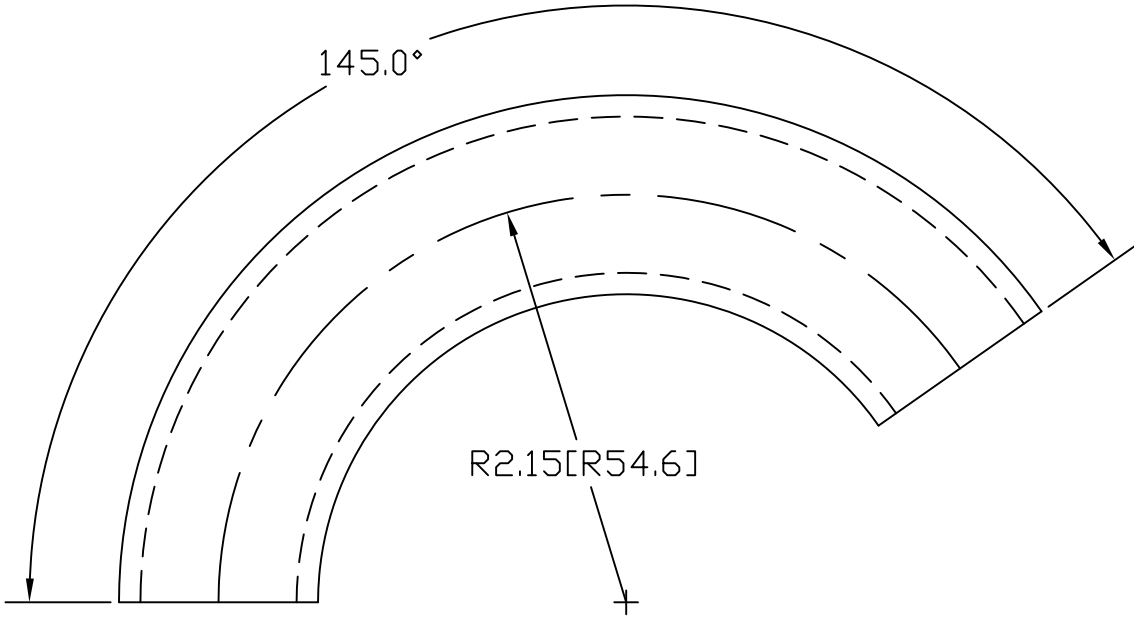



REV  
SH  
158-1  
DWG NO

REVISIONS			
REV	DESCRIPTION	DATE	APPROVED



INCHES [MILLIMETERS]

ALTERNATE MATERIAL		PART NUMBER		
3/4" SCH 40 (6063) ALUMINUM PIPE		168-1		
3/4" SCH 40 (304) STAINLESS STEEL PIPE		178-1		
PART NAME 3/4" PIPE SIZE 145° ELL X 1-5/8" I.R.				
MATERIAL 3/4" SCH 40 A53 STEEL PIPE				
DATE 8/18/95	 R & B WAGNER, INC.			
DRAWN BY RJF				
FINISH MILL	SIZE A	WEIGHT .50 LBS	PART NUMBER 158-1	REV