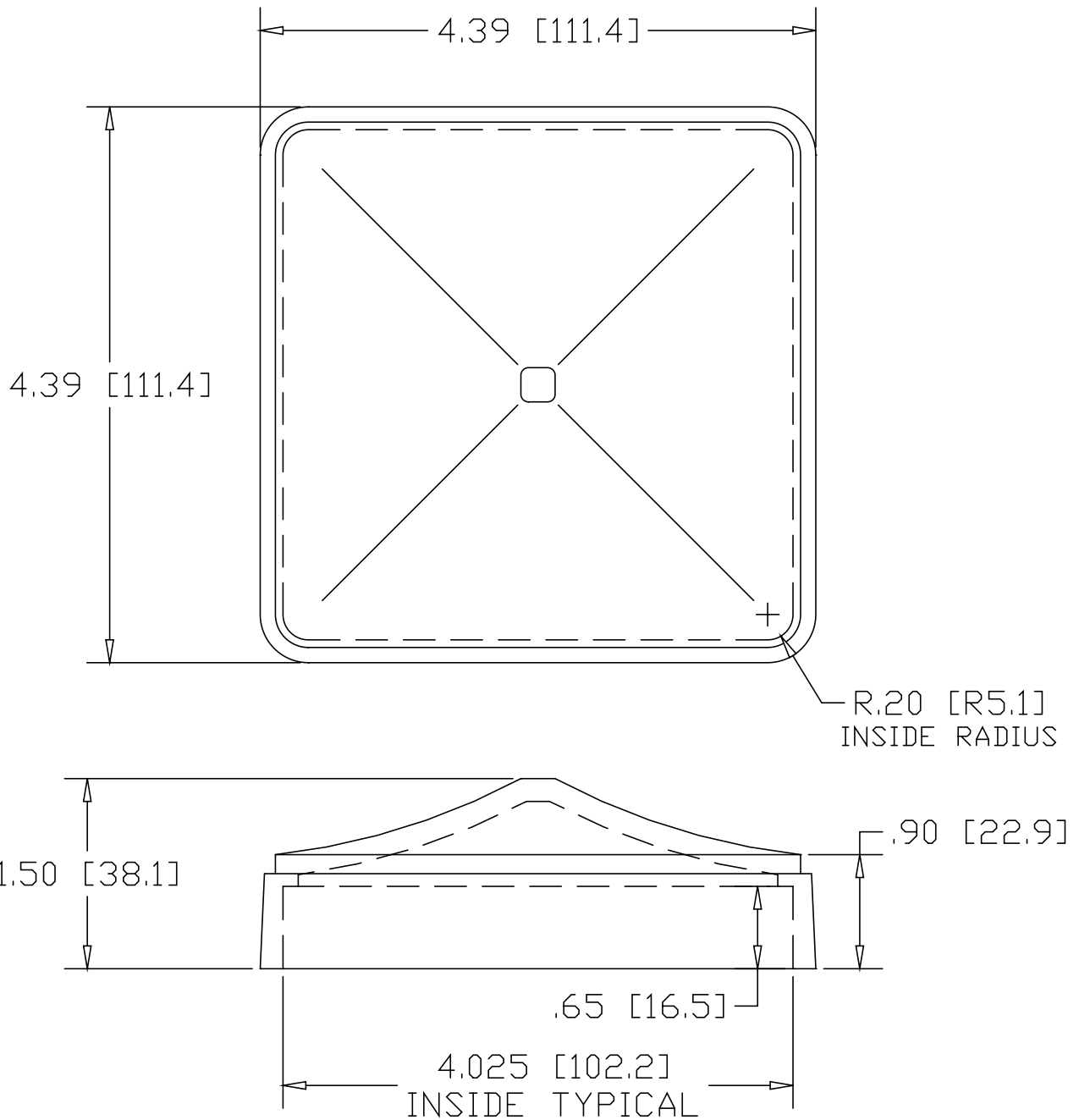



REV
SH
PC14040
DWG NO

REVISIONS			
REV	DESCRIPTION	DATE	APPROVED



INCHES [MILLIMETERS]

PART NAME		4" SQUARE POST CAP			
MATERIAL		CAST IRON			
DATE	03/27/07	 THE WAGNER COMPANIES R & B WAGNER, INC. AND J. G. BRAUN CO.			
DRAWN BY	RJF				
FINISH	AS-CAST				
SIZE	A	WEIGHT	1.42 LBS	PART NUMBER	PC14040
				REV	