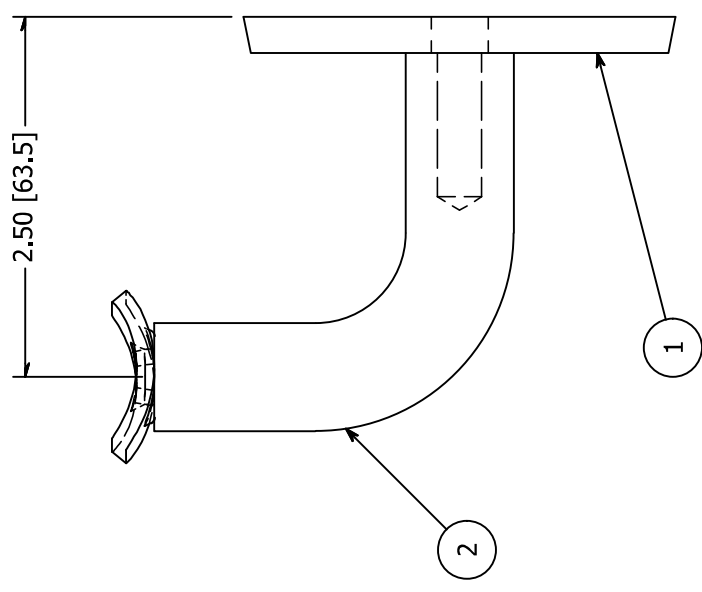
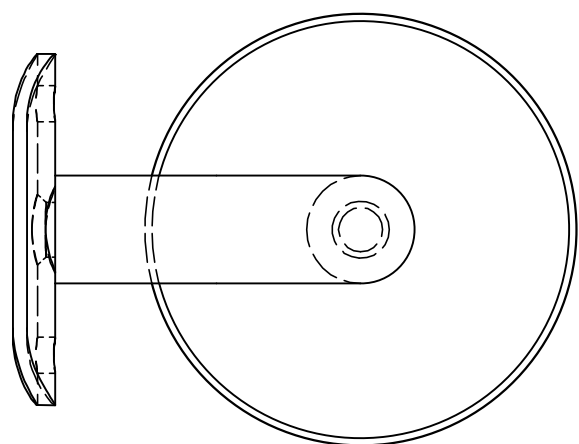
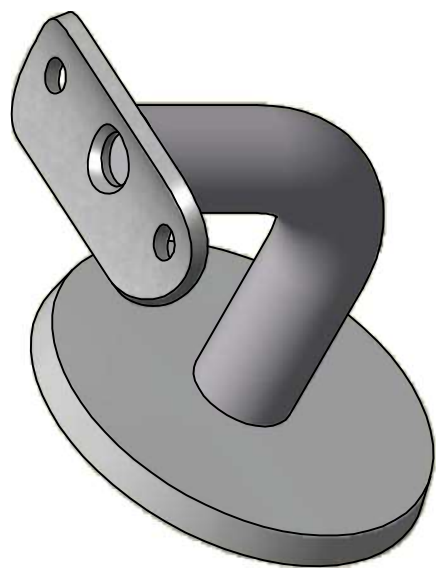


1

2

PARTS LIST			
ITEM	QTY	PART NUMBER	DESCRIPTION
1	1	DA901	3" Round Backing Disk for Wall Mount
2	1	RB24125P	Handrail Bar Bend, AL, 2-1/4 Inch From Post To Center, Round Saddle



B



A

B



A

<b>TOLERANCE</b>		FINISH: #4		DESCRIPTION: Handrail Bracket, AL, 2-1/2 Inch From Wall To Center, Round Saddle	
FRACTION: X/XX..... = ± 1/16" over 4ft. 16 FT RAIL EXAMPLE: 16 FT / 4 FT = 4 * 1/16" = 1/4" 16 FT RAIL..... = ± 1/4"		MATERIAL: ALUMINUM		CUSTOMER NAME:	
DECIMAL: X.XX..... = ± .030 X.XXX..... = ± .010 UNLESS OTHERWISE NOTED		DATE: 5/8/2014		THE WAGNER COMPANIES	
		DRAWN BY: K. Turdo		R & B WAGNER, INC. AND J. G. BRAUN CO.	
		WEIGHT: 0.41 lbmass		DRAWING NUMBER: RB24125	
		SIZE: A		SHEET: 1 OF 1	
				REV: -	

1

2

