

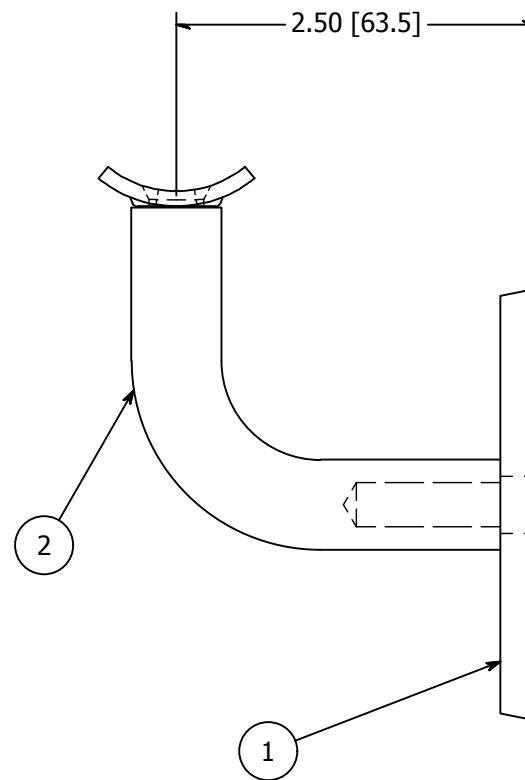
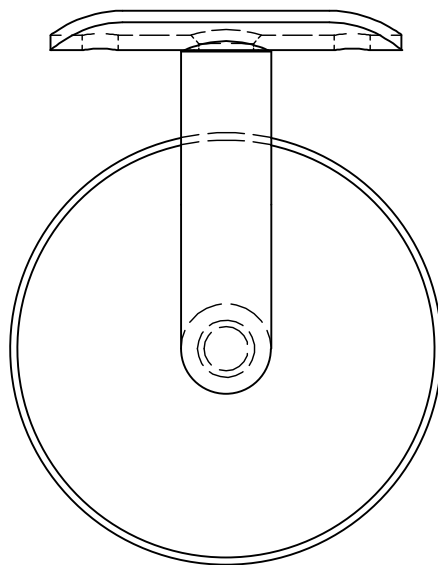
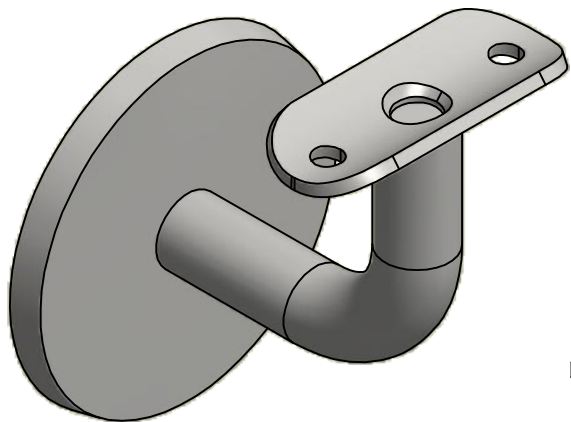
2



1

PARTS LIST

ITEM	QTY	PART NUMBER	DESCRIPTION
1	1	DS901	3" Round Backing Disk for Wall Mount
2	1	RB34125P.4	Handrail Bar Bend, SS, 5/8 Inch Diameter Bar, 2-1/4 Inch From Post and Center




B

B

A

A

<b>TOLERANCE</b> FRACTION: X/XX..... = ± 1/16" over 4ft. 16 FT RAIL EXAMPLE: 16 FT / 4 FT = 4 * 1/16" = 1/4" 16 FT RAIL..... = ± 1/4"  DECIMAL: X.XX..... = ± .030 X.XXX..... = ± .010  UNLESS OTHERWISE NOTED	FINISH:	DESCRIPTION: Handrail Bracket, SS, 5/8 Inch Diameter Bar, 2-1/2 Inch From Wall and Center		
	#4	MATERIAL: 304 Stainless	CUSTOMER NAME:	
	WEIGHT: 0.87 lbmass	DATE: 6/6/2014	 <b>THE WAGNER COMPANIES</b> R & B WAGNER, INC. AND J. G. BRAUN CO.	
	SIZE: A	DRAWN BY: K. Turdo		
ITEM NUMBER: RB34125.4		SHEET: 1 OF 1	DRAWING NUMBER: RB34125.4	REV: -

2



1