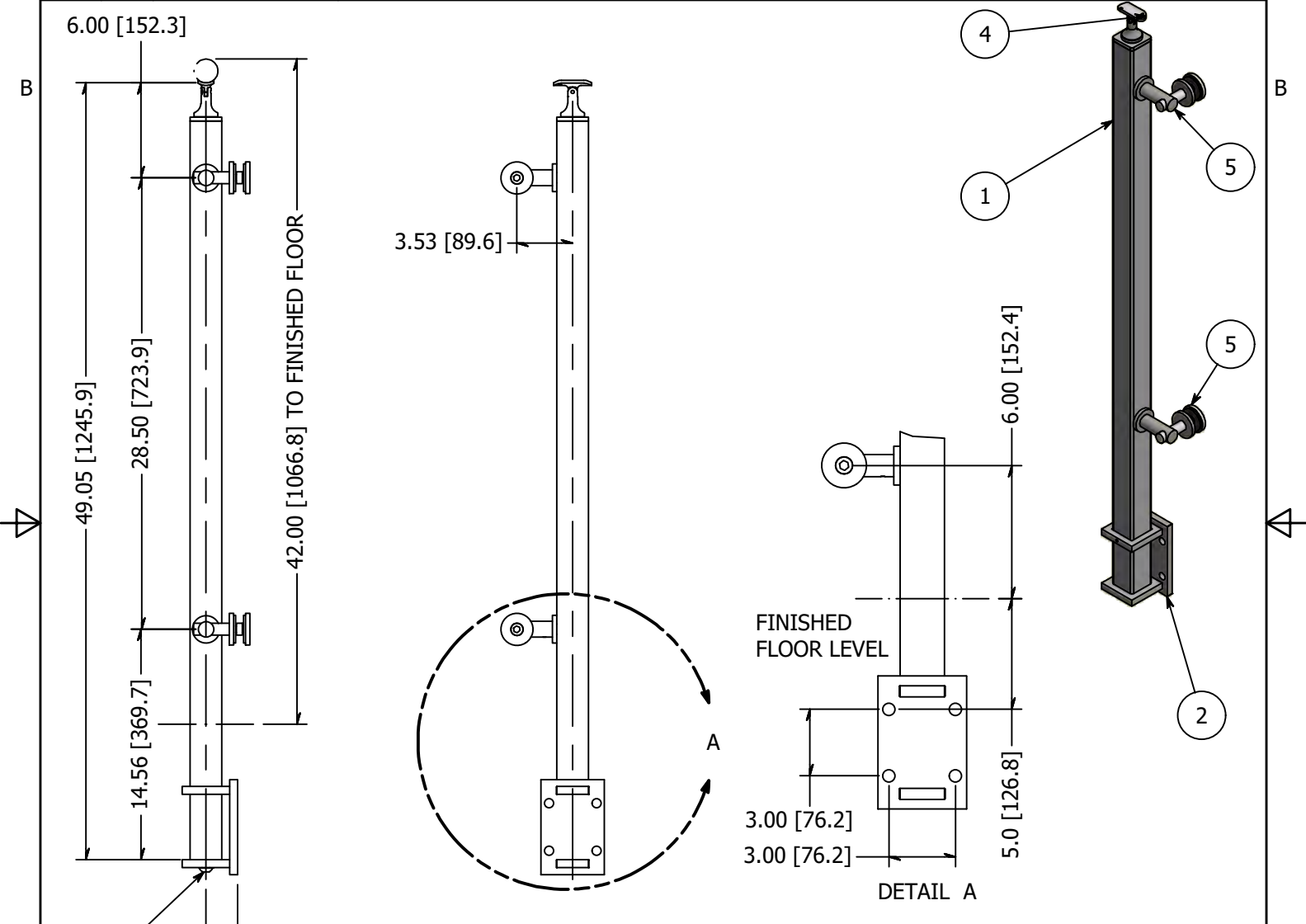


PARTS LIST

ITEM	QTY	PART NUMBER	DESCRIPTION
1	1	LG32242EFMA	End Post, Stainless Steel, 2.00 Inch Square x 0.12 Inch Wall, 42 High, Brushed Satin Finish, Grade 316, Fascia Mount, Post Assm
2	1	LG322FM	Flange, Stainless Steel, Fascia Mount For 2 Inch Square Post, Satin Brushed Finish, Type 316
3	1	BAH3N1213-0200	SCREW SS 1/2-13 X 2.00 SOCKET BUTTON HEAD CAP SCREW CW
4	1	SS507	SADDLE, SWIVEL, CAST W/ HOLES
5	2	LXTB51-1	Point Fitting, Stainless Steel, 51 mm Head, 1 Point, Tubular Body, Brushed Satin Finish, Grade 316, 0.50 Inch Glass



REVISION HISTORY			
REV	DESCRIPTION	DATE	APPROVED
1	Revised to Metric	3/24/15	TLK
2	Revised LXTB51-1 to LX51FBS	10/27/15	KGB
3	Revised LX51FBS to LXTB51-1	8/24/2016	TLK
4	Wall Thickness was changed from 0.25 to 0.12 and the corner radii from .375 to .188 on the square post. BAH3N1213-0200 WAS BAH3N3816-0200	3/13/2019	ATM

TOLERANCE
X.X.....= ± .060
X.XX.....= ± .030
X.XXX.....= ± .010
XX°.....= ± 1°
UNLESS OTHERWISE NOTED

MATERIAL: 316 Stainless
FINISH: Satin Brushed
WEIGHT: N/A

DESCRIPTION: End Post, Stainless Steel, 2.00 Inch Square x 0.12 Inch Wall, 42 High, Brushed Satin Finish, Grade 316, Fascia Mount, 2-Point	
DATE: 8/19/2019	REV: 4
DRAWN BY: T. Kolbach	
ITEM NUMBER: LG32242CFM.4	

