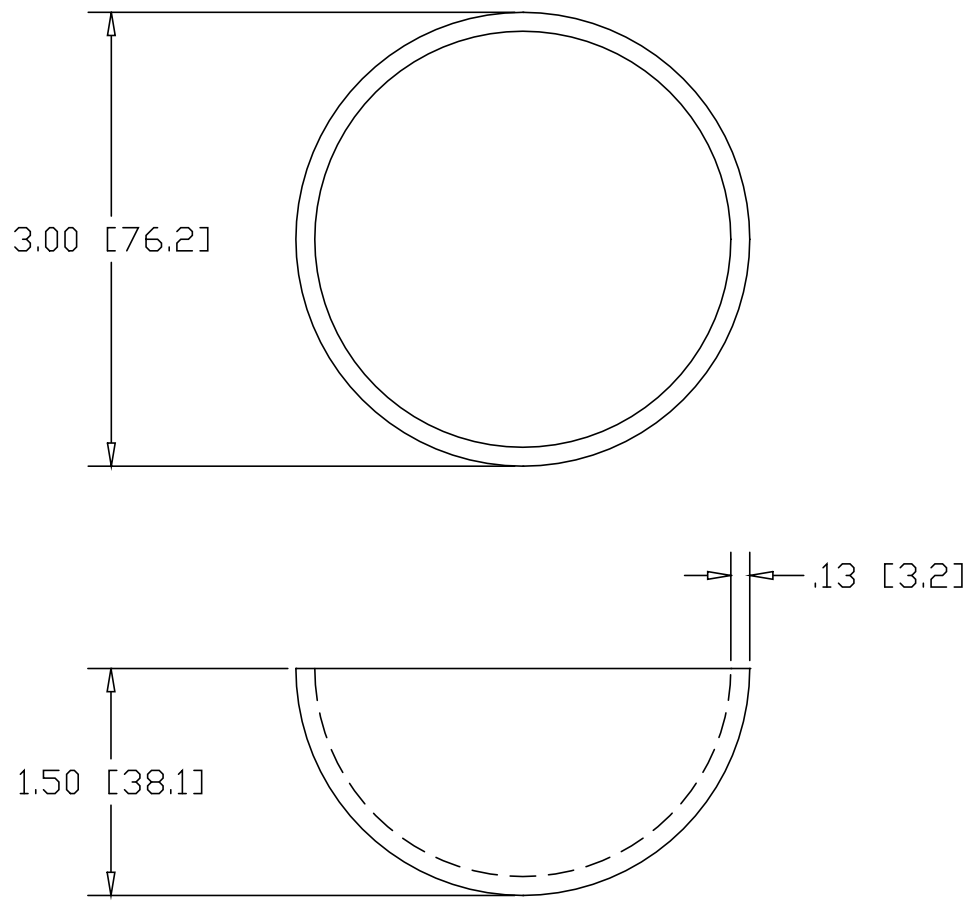



REV
SH
B4130
DWG NO

REVISIONS			
REV	DESCRIPTION	DATE	APPROVED



INCHES [MILLIMETERS]

ALTERNATE MATERIAL	PART NUMBER
.125 (3003) ALUMINUM SHEET ASTM B209	B4132
11 GA. (.1200) 304 STAINLESS STEEL A240	B4134
.125 (260) BRASS	B4136
.125 (655) SILICON BRONZE	BSB4130

PART NAME		3.00" HEMISPHERE					
MATERIAL		11 GA. (.1196) HRP&D STEEL SHEET ASTM A569					
DATE	1/4/00	 THE WAGNER COMPANIES R & B WAGNER, INC. AND J. G. BRAUN CO.					
DRAWN BY	RJF						
FINISH	MILL						
SIZE	A	WEIGHT	.78 LBS	PART NUMBER	B4130	REV	