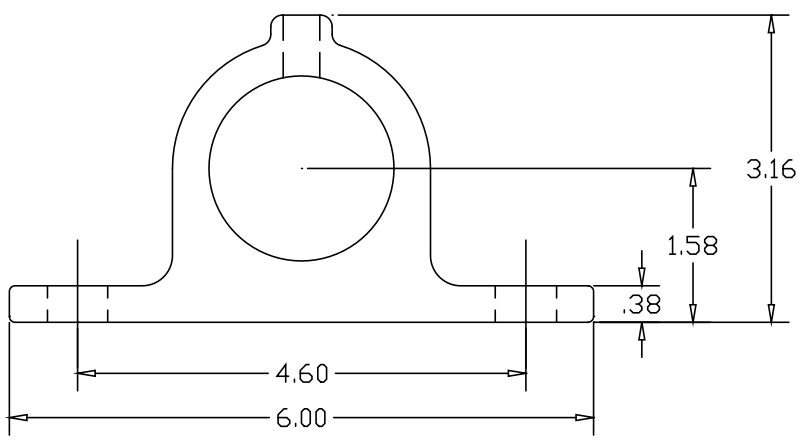
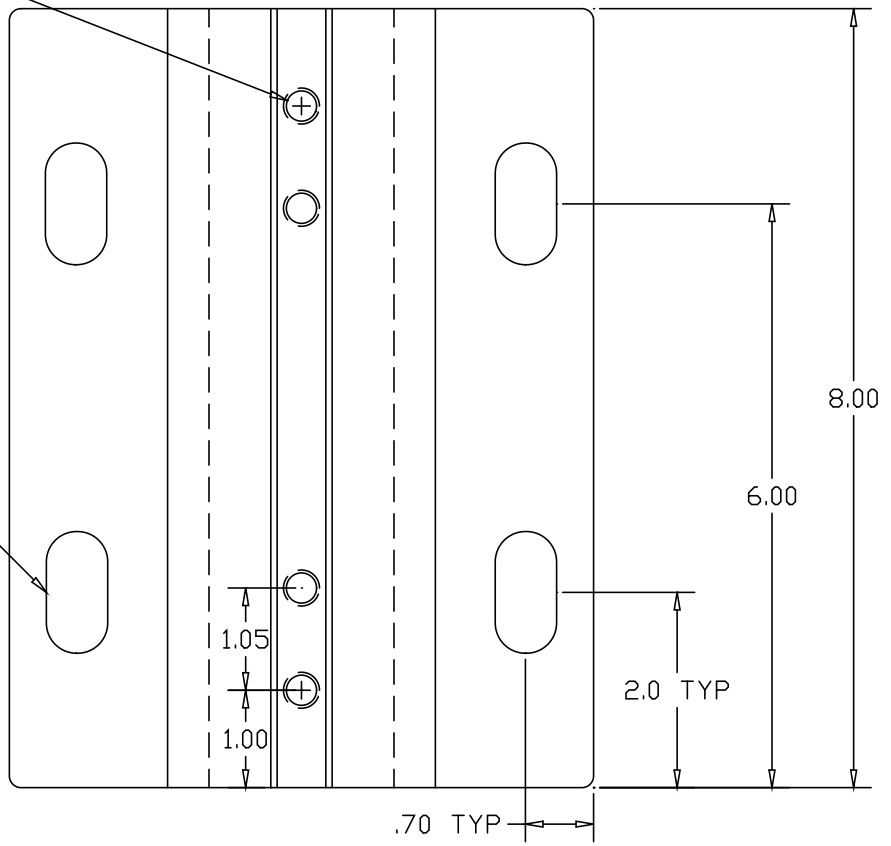



REV
SH 1
SR52HD-8
DWG NO

REVISIONS			
REV	DESCRIPTION	DATE	APPROVED

3/8-16 SET-SCREW
(2) PLACES

.63 x 1.25 SLOT
(4) PLACES



PART NAME		FLANGE AL EX HVY DUTY 1.90					
MATERIAL		CAST ALUMINIUM					
DATE	06/25/10	 THE WAGNER COMPANIES R & B WAGNER, INC. AND J. G. BRAUN CO.					
DRAWN BY	PWH						
FINISH	MILL						
SIZE	A	WEIGHT	3.48 LBS	PART NUMBER	SR52HD-8	REV	1