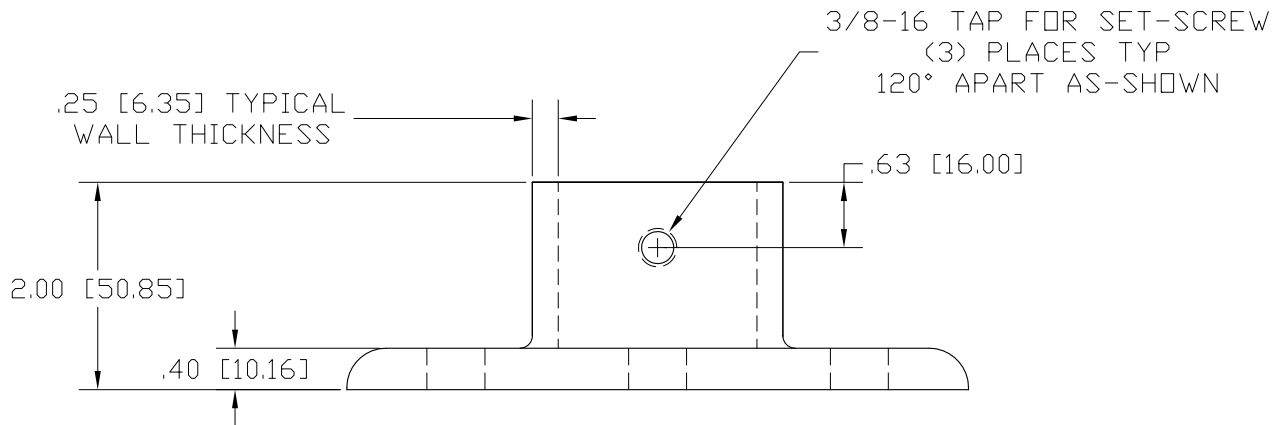
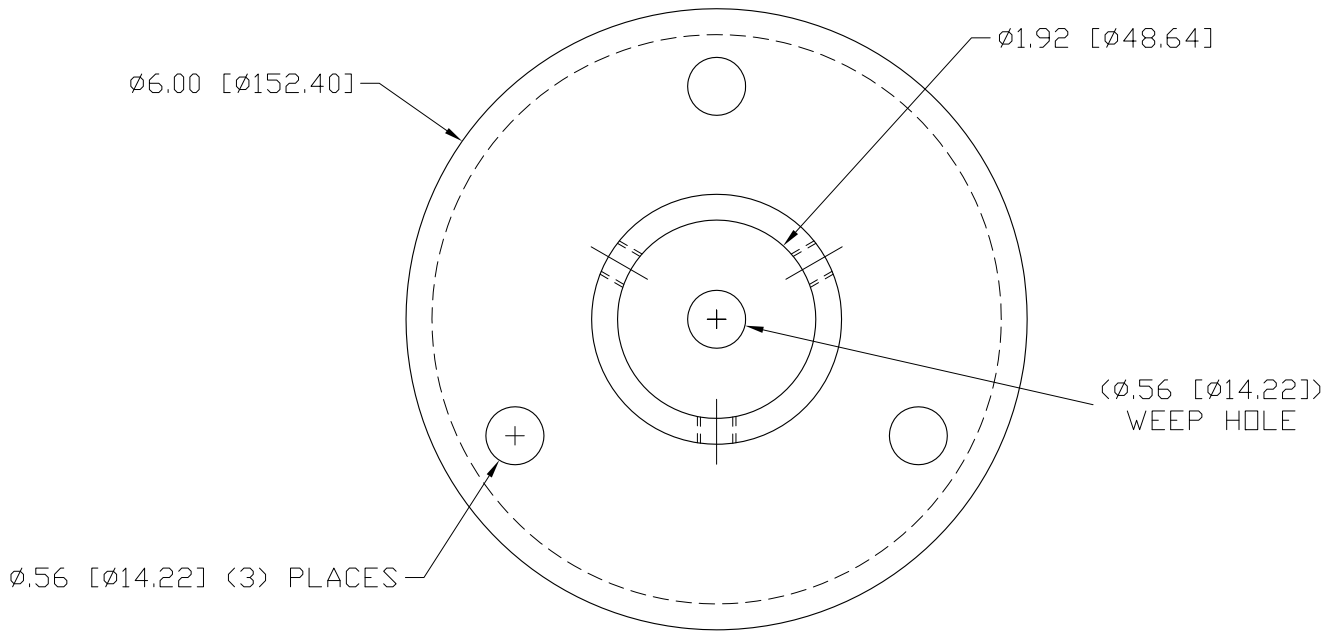



REV A  
SH  
WR240  
DWG NO

REVISIONS			
REV	DESCRIPTION	DATE	APPROVED
A	ADDED CENTER WEEP HOLE	10/28/14	RJF



INCHES [MILLIMETERS]

PART NAME BALL FITTING BASE FLANGE FOR 1-1/2" PIPE			
MATERIAL CAST ALUMINUM			
DATE 1/06/03		<b>THE WAGNER COMPANIES</b> R & B WAGNER, INC. AND J. G. BRAUN CO.	
DRAWN BY RJF			
FINISH MILL	SIZE A	WEIGHT	PART NUMBER WR240
			REV A