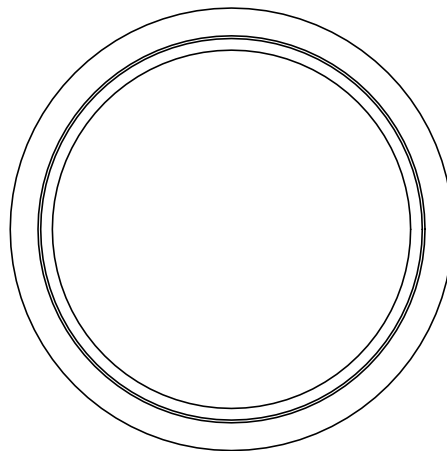
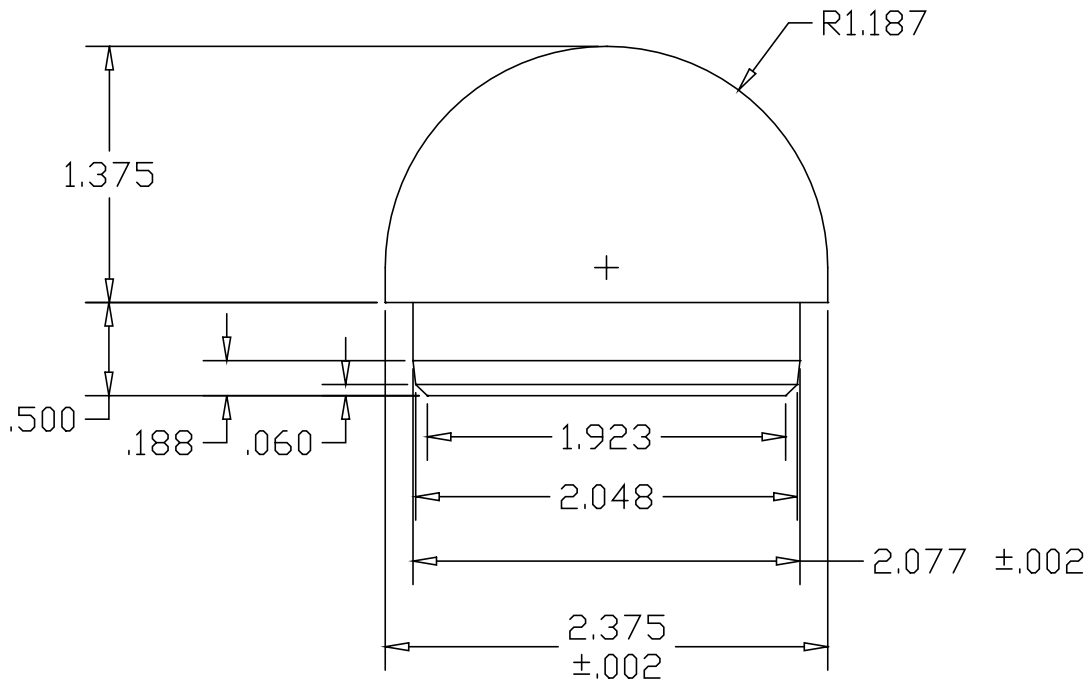



REV  
SH  
DWG NO 3213AM

REVISIONS			
REV	DESCRIPTION	DATE	APPROVED



PART NAME		2" SCH 40 PIPE SIZE DRIVE ON END CAP		
MATERIAL		6063 ALUMINUM BAR		
DATE	8/29/03	 <b>THE WAGNER COMPANIES</b> R & B WAGNER, INC. AND J. G. BRAUN CO.		
DRAWN BY	RJF			
FINISH	MILL			
SIZE	A	WEIGHT	PART NUMBER	3213AM
				REV