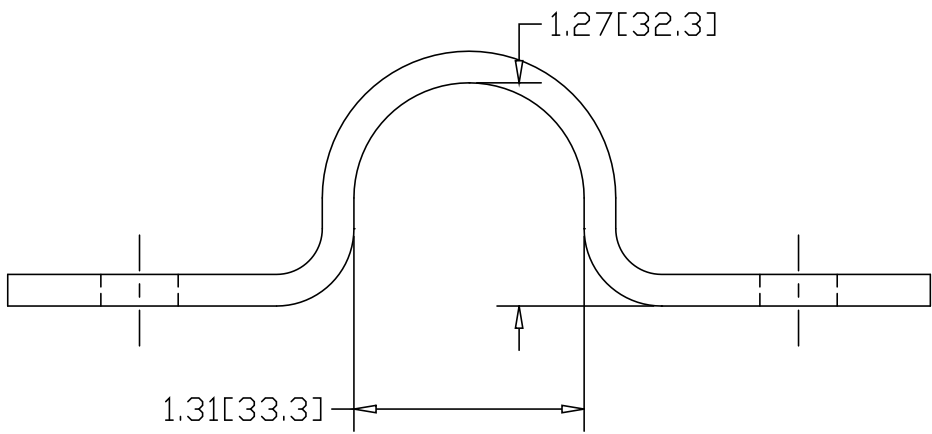
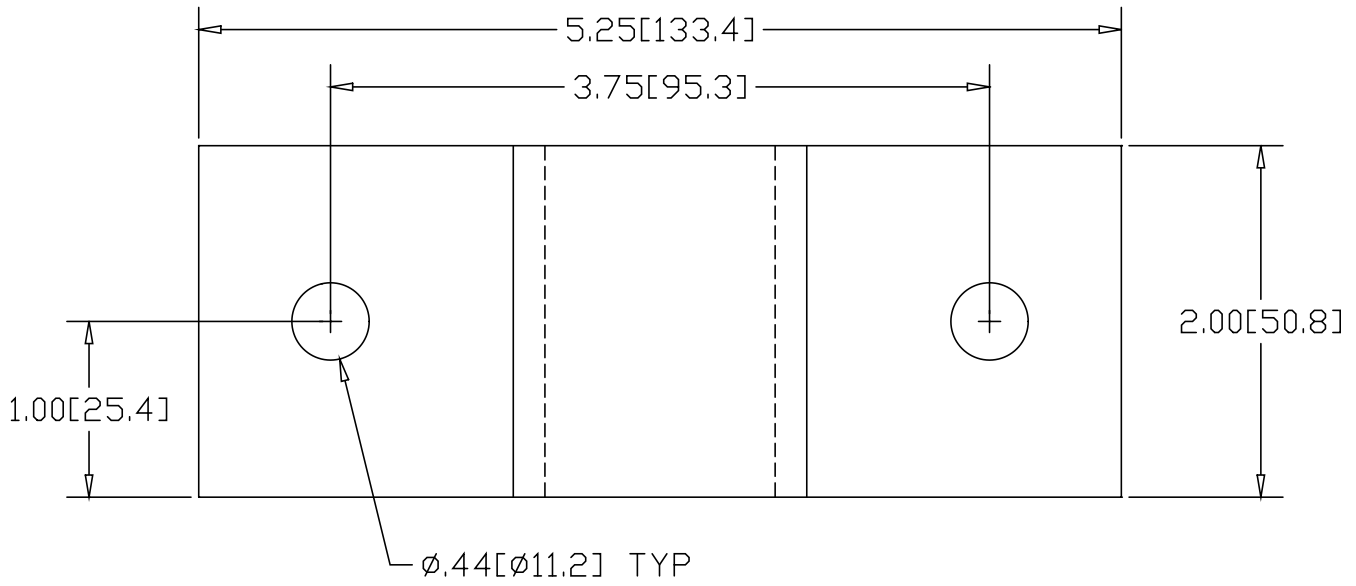



REV
SH
3741
DWG NO

REVISIONS			
REV	DESCRIPTION	DATE	APPROVED



INCHES [MILLIMETERS]

ALTERNATE MATERIAL	PART NUMBER
.190 (3003) ALUMINUM ASTM B209	3741A
7 GA. (304) STAINLESS STEEL ASTM A240	3741-SS

PART NAME 1" PIPE (1.32" OD) X 2" WIDE U-BRACKET W/(2) HOLES				
MATERIAL 7 GA. HRP&O STEEL ASTM A569				
DATE 1/13/00	 THE WAGNER COMPANIES R & B WAGNER, INC. AND J. G. BRAUN CO.			
DRAWN BY RJF		SIZE A	WEIGHT .65 LBS	PART NUMBER 3741
FINISH MILL				REV