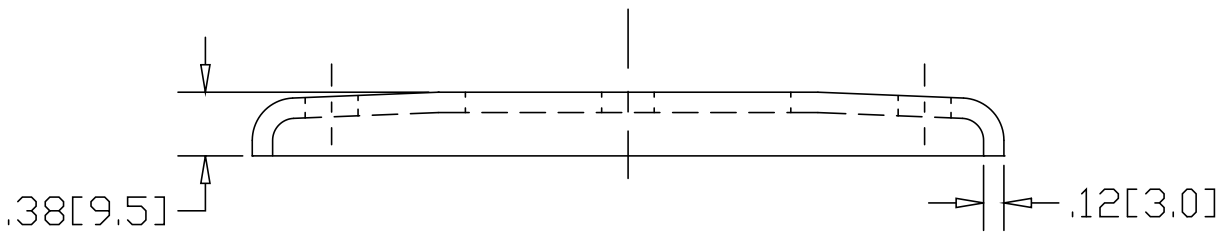
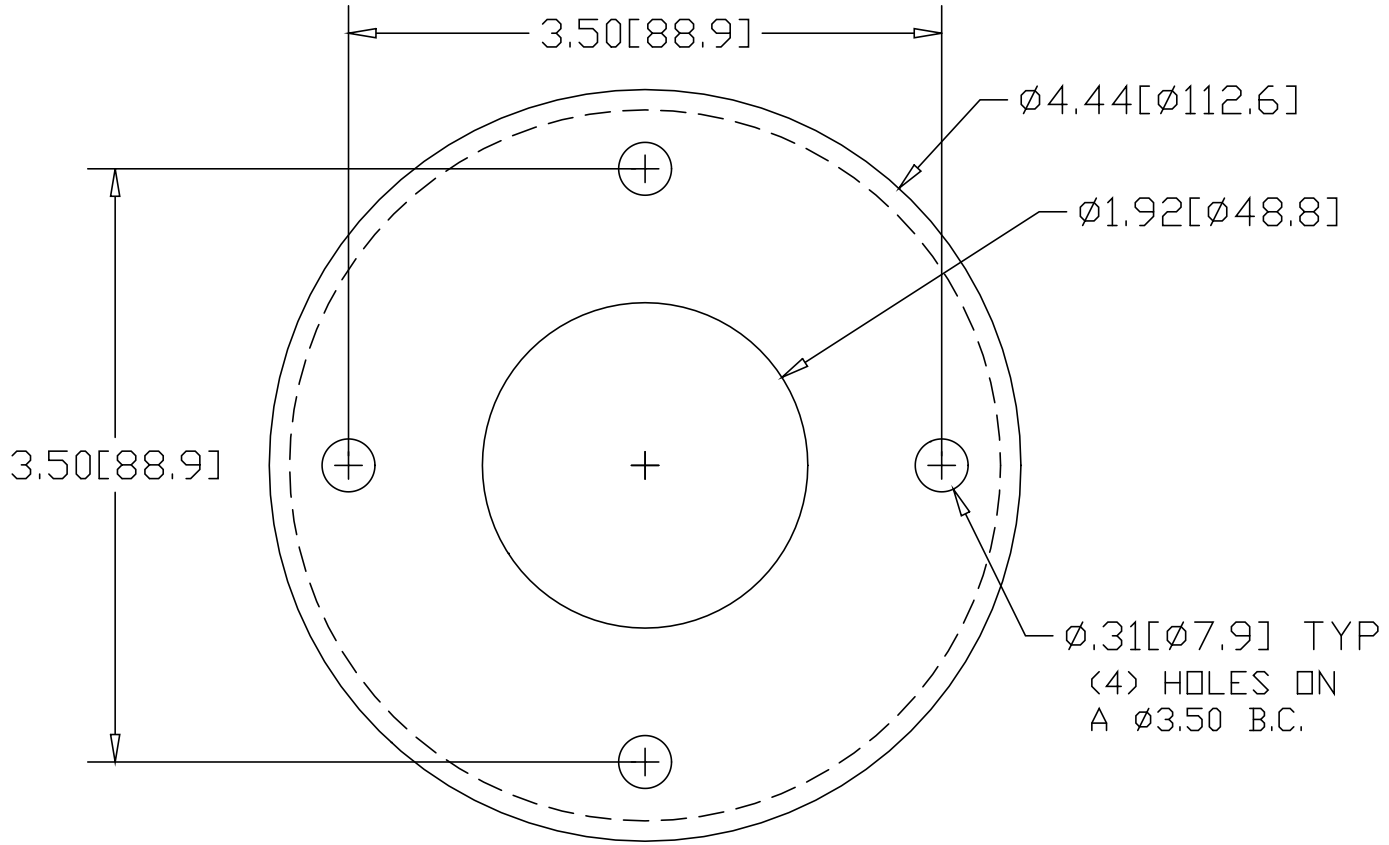


REV
SH
2536
DWG NO


REVISIONS			
REV	DESCRIPTION	DATE	APPROVED



INCHES [MILLIMETERS]

*USE WITH ANCHOR PLATE
#B1440 IN STEEL
#PLB1440 ZINC PLATED STEEL
#B1540 IN STAINLESS

ALTERNATE MATERIAL	PART NUMBER
.125 (3003) ALUMINUM ASTM B209	2576
10 GA. (304) STAINLESS STEEL ASTM A240	2616

PART NAME 1-1/2" PIPE HEAVY FLUSH BASE FLANGE W/(4) HOLES			
MATERIAL 10 GA. HRP&D STEEL ASTM A569			
DATE 9/6/94		R & B WAGNER, INC.	
DRAWN BY RJF		PART NUMBER	2536
FINISH MILL		SIZE A	WEIGHT .52 LBS