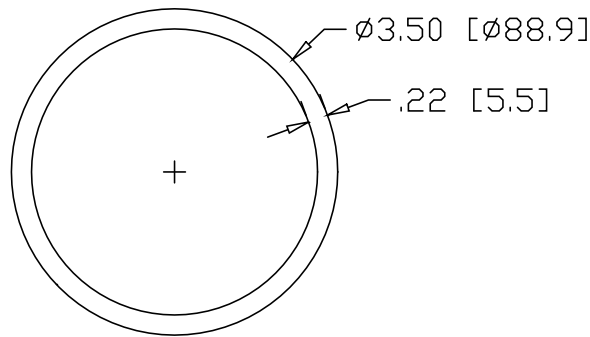
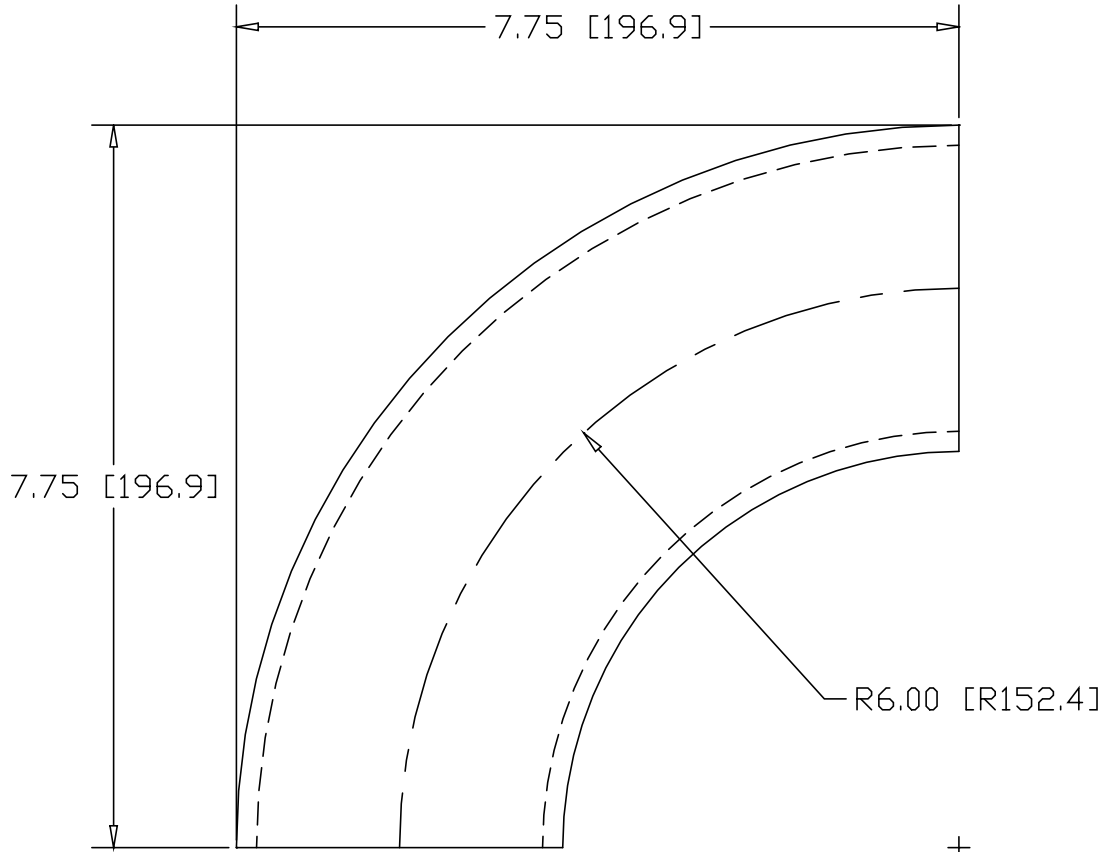



REV
SH
DWG NO 9630

REVISIONS			
REV	DESCRIPTION	DATE	APPROVED



INCHES [MILLIMETERS]

ALTERNATE MATERIAL	PART NUMBER
3" SCH 40 6063 ALUMINUM PIPE	9633

PART NAME		3" PIPE 90° ELL X 6" CLR					
MATERIAL		3" SCH 40 A53 STEEL PIPE					
DATE	7/10/96	 R & B WAGNER, INC.					
DRAWN BY	RJF						
FINISH	MILL						
SIZE	A	WEIGHT	5.95 LBS	PART NUMBER	9630	REV	