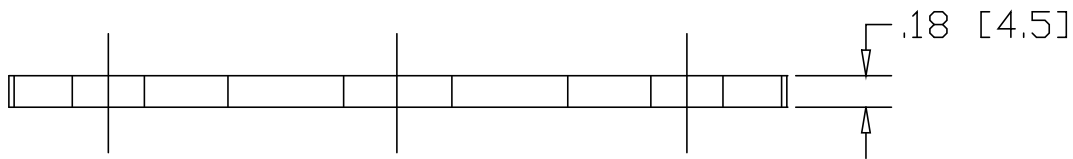
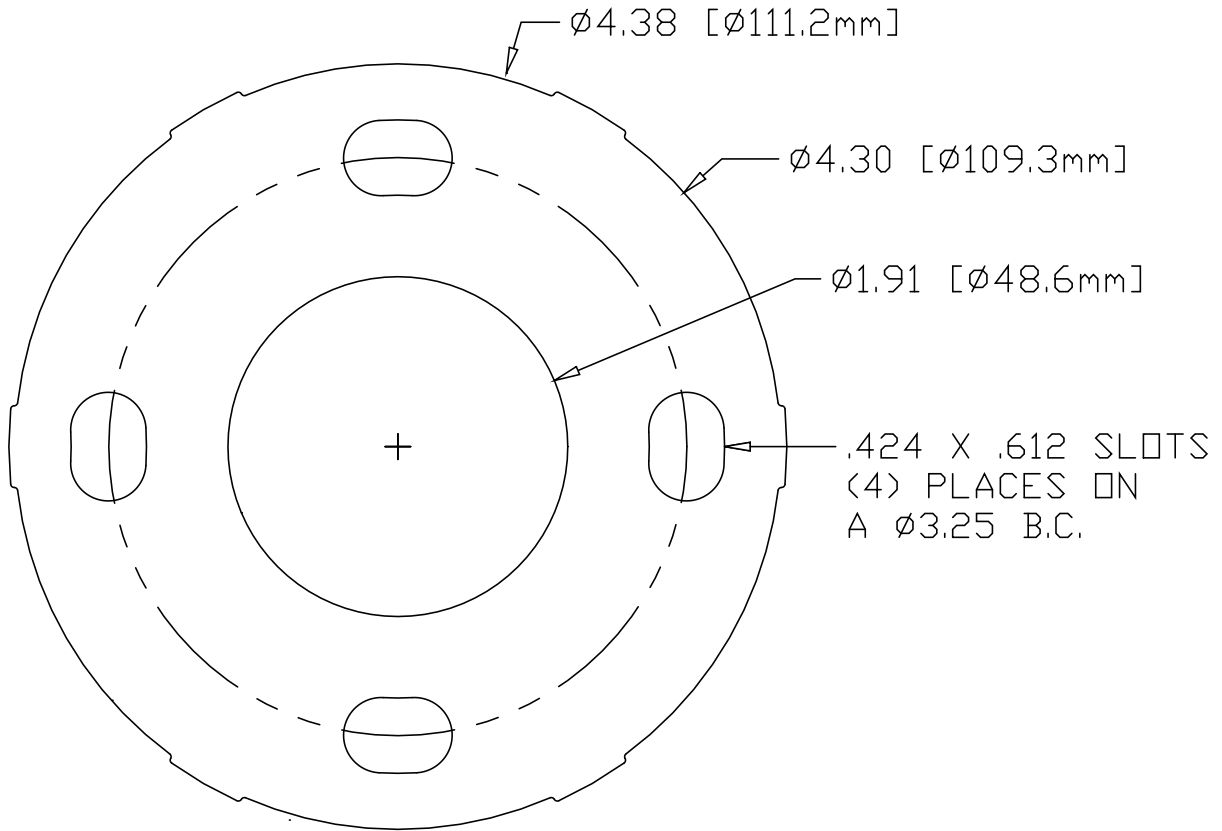



REV
A
SH
DWG NO 2077B.316

REVISIONS			
REV	DESCRIPTION	DATE	APPROVED



* USE WITH SNAP-COVER
 #2077.316 IN STAINLESS STEEL

INCHES [MILLIMETERS]

PART NAME		4.31" DIA SNAP COVER BASE	
MATERIAL		7 GA. S/S 316L-2B ASTM A240	
DATE	3/8/06	 THE WAGNER COMPANIES R & B WAGNER, INC. AND J. G. BRAUN CO.	PART NUMBER 2077B.316
DRAWN BY	RDC		
FINISH	MILL		
SIZE	A	WEIGHT	.79 LBS
		REV	A