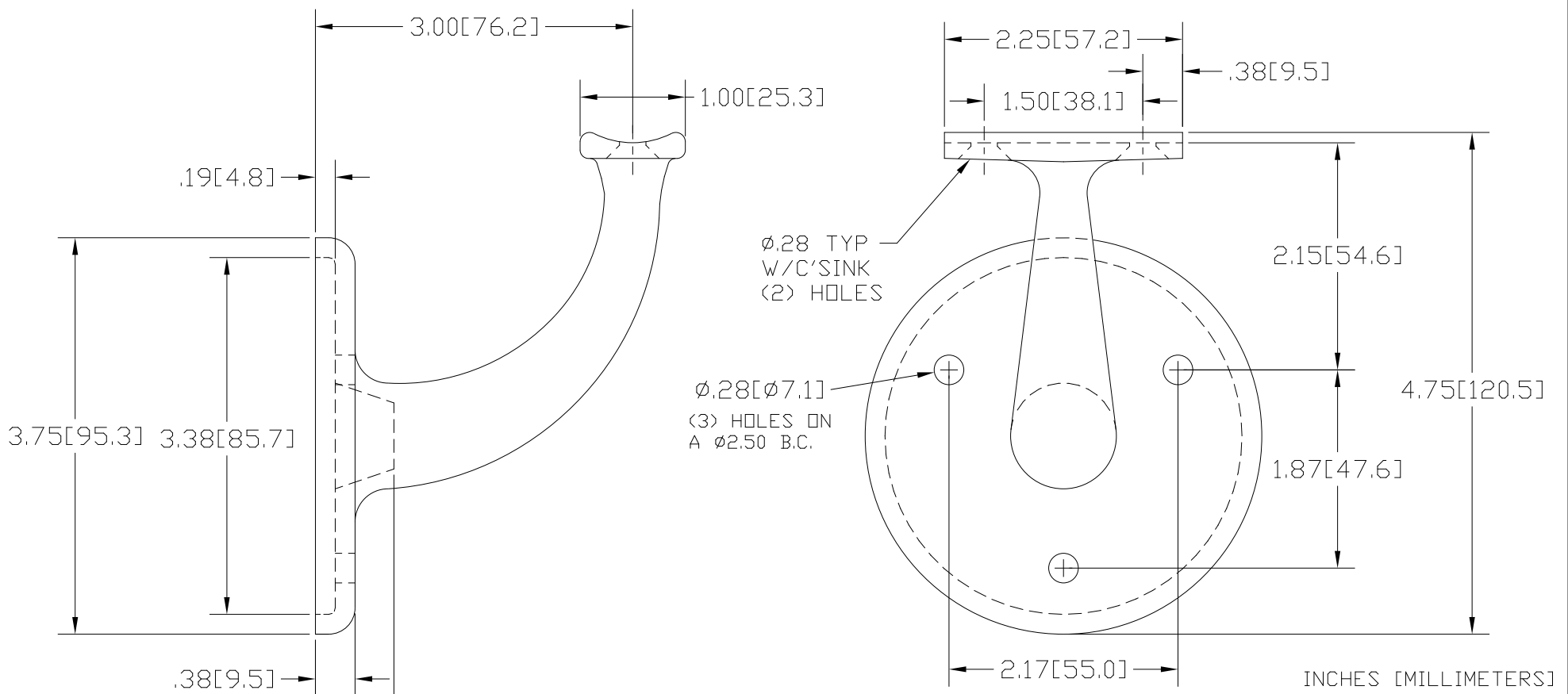


REVISIONS			
REV	DESCRIPTION	DATE	APPROVED



ALTERNATE MATERIAL	PART NO.
ALMAG 535.2 ALUMINUM ASTM B26	1719 ANODIZED 1719AN
(304) STAINLESS STEEL ASTM A743	1733
(424) BRONZE ASTM C86300	1744
(405.1) BRASS ASTM C85800	1705BRS

- * USE WITH ANCHOR PLATE #B1416 FOR STEEL
- * USE WITH ANCHOR PLATE #B1516 FOR STAINLESS
- * USE WITH PLASTER FILLER #1752 FOR 3/4" DRYWALL
- * USE WITH PLASTER FILLER #1722 FOR 5/8" DRYWALL

*NOTE: BRACKETS IN ALUMINUM, STAINLESS, BRONZE AND BRASS HAVE #4 SATIN FINISH.

PART NAME 3" CAST HANDRAIL BRACKET W/ (3) MOUNTING HOLES			
MATERIAL MALLEABLE IRON CASTING ASTM A47-74			
DATE 10/31/95		THE WAGNER COMPANIES R & B WAGNER, INC. AND J. G. BRAUN CO.	
DRAWN BY RJF			
FINISH SHOT BLASTED *SEE NOTE	SIZE A	WEIGHT (IN STEEL) 1.48 LBS	PART NUMBER 1705
			REV