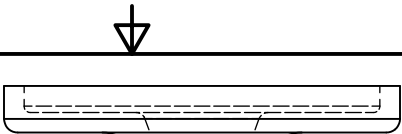



- A -  0.060



Ø.28 C'SINK Ø.53 X .82'
FROM FAR SIDE
TYP (2) PLACES

R.44 REF

 0.030 A

1.00 REF

.50

1.50 ± 0.06

2.23 REF

.44 REF

R.75

R.09 REF

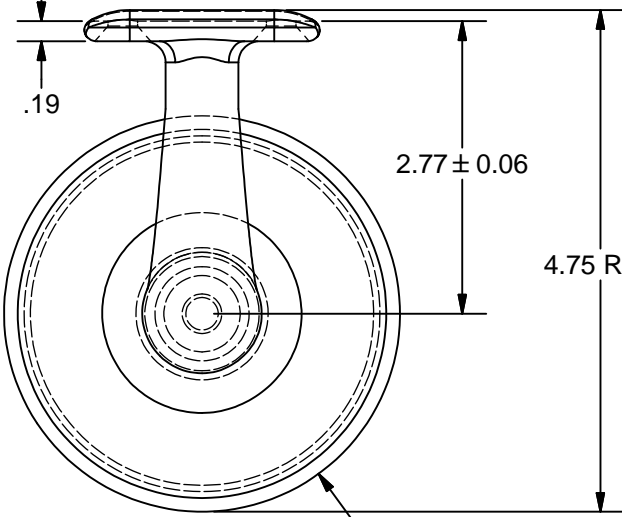
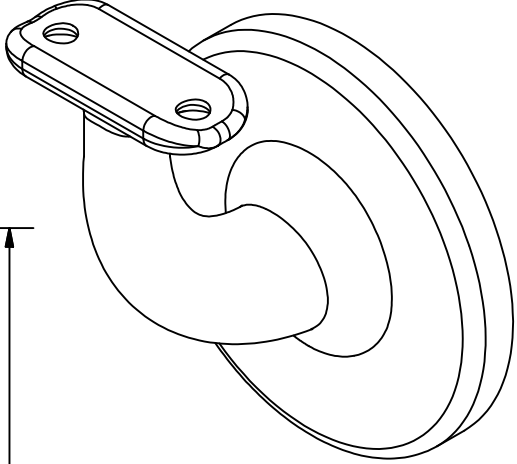
R.13

R.13 REF

.19

2.77 ± 0.06


4.75 REF



Ø3.75 REF

CAVITY MUST FIT
Ø3.19 X .188 GAGE

3/8-16 TAP X 1.38 DEEP

 0.060 A

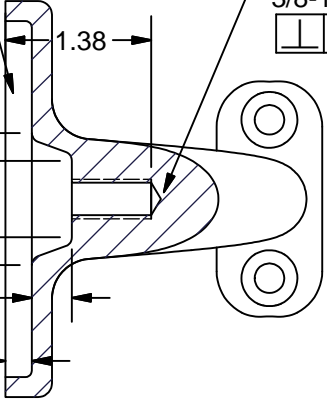
3.37

1.25 REF


.72

.38

.25 REF



SECTION A-A

NAME					2-1/2" CAST HANDRAIL BRACKET WITH UNIVERSAL SADDLE				
MATERIAL					CAST ALUMINUM ALLOY 535				
DATE		7/27/2006			COLLABORATIVE METAL WORKS				
DRAWN		RJF							
FINISH		#4 SATIN			SIZE	WEIGHT	PART NUMBER		REV
					A	.517 LBS	1715-2		-

