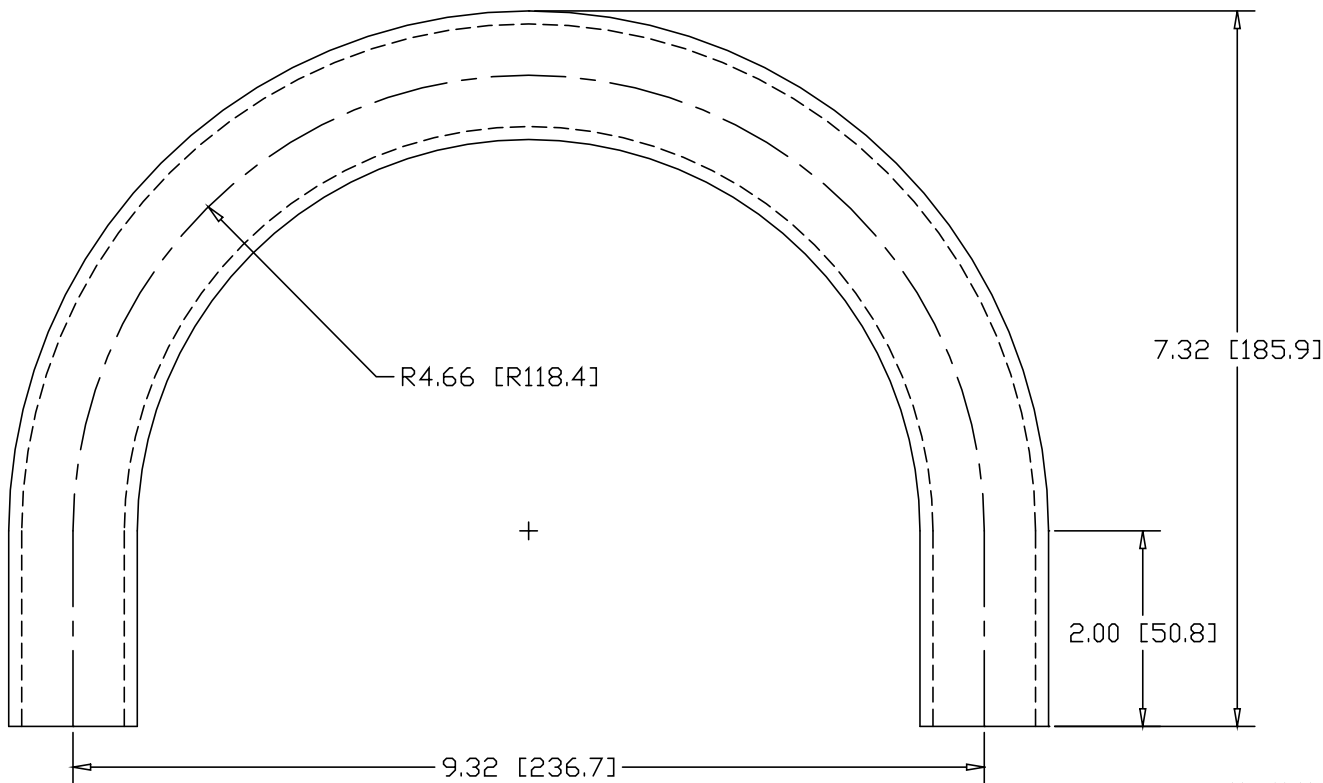
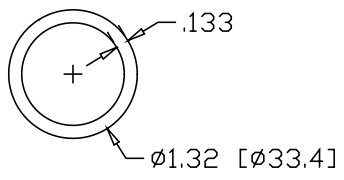


REV
SH
5609B
DWG NO

| REVISIONS | | | |
|-----------|-------------|------|----------|
| REV | DESCRIPTION | DATE | APPROVED |




NOTE: THESE ARE MINIMUM DIMENSIONS, ENDS ARE LEFT UNTRIMMED.



INCHES [MILLIMETERS]

| ALTERNATE MATERIAL | PART NUMBER |
|--------------------------------------|-------------|
| 1" SCH 40 (6063) ALUMINUM PIPE | 5619B |
| 1" SCH 40 (304) STAINLESS STEEL PIPE | 5630B |

| | | | |
|--|---|--------------------|-----------------|
| PART NAME 1" PIPE SIZE 180° ELL X 4" I.R. W/ (2) 2" TANGENTS | | | |
| MATERIAL 1" SCH 40 A53 STEEL PIPE | | | |
| DATE 4/5/96 |  | R & B WAGNER, INC. | |
| DRAWN BY RJF | | PART NUMBER | 5609B |
| FINISH MILL | | SIZE A | WEIGHT 2.90 LBS |