

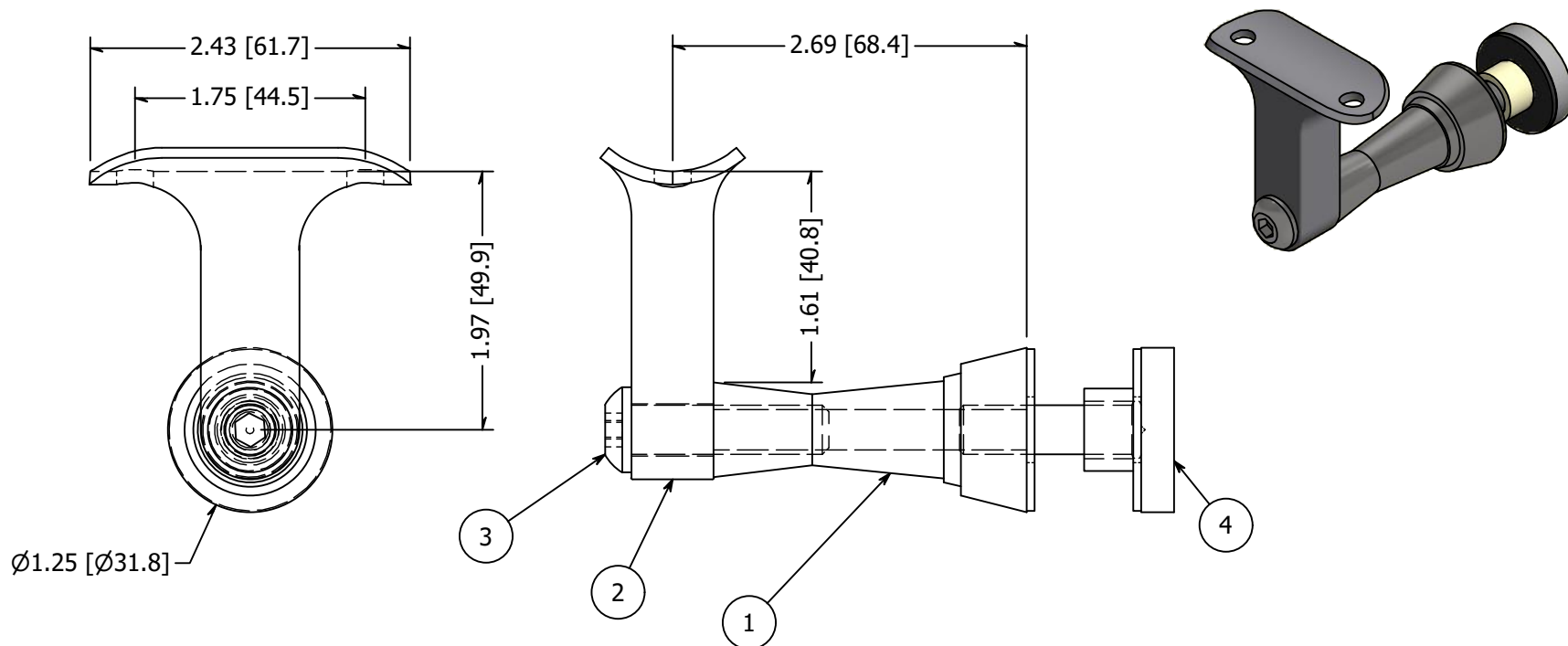
2



1

PARTS LIST

ITEM	QTY	PART NUMBER	DESCRIPTION
1	1	RS300	Handrail Bracket Arm, SS, 2-3/8 Inch Long, 3/8-16 Tapped Through
2	1	S3502	Handrail Bracket Saddle And Vertical Arm, SS, Cast, #4 Finish, Type 316, Bolt Style
3	1	BAH3N3816-0150	SCREW, SS, 3/8-16 X 1.50 Inch, Button, Allen Head
4	1	GB3000K.75	GLASS ADAPTER KIT SS 1.25 #4 FOR 3/4 GLASS



TOLERANCE UNLESS OTHERWISE NOTED, TOLERANCES TO CONFORM TO ES.03.011	MATERIAL: 304 Stainless	DESCRIPTION: Handrail Bracket, SS, Glass Mount, 1/2 Inch, 2-3/4 Inch From Glass To Center	
	FINISH: #4	DATE: 2/11/2021	REV: 1
	WEIGHT: N/A	DRAWN BY: K. Turdo	
		ITEM NUMBER: GB3303.75	


WAGNER™
 COLLABORATIVE METALWORKS
 10600 W Brown Deer Rd
 Milwaukee, WI 53224
<http://www.wagnercompanies.com/>

2



1