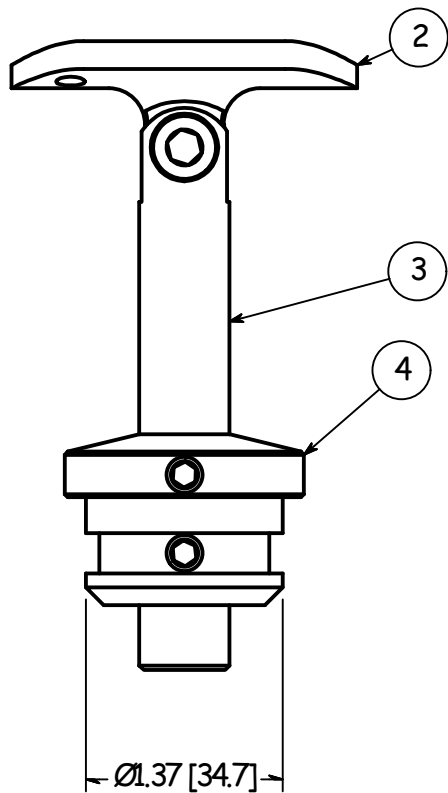
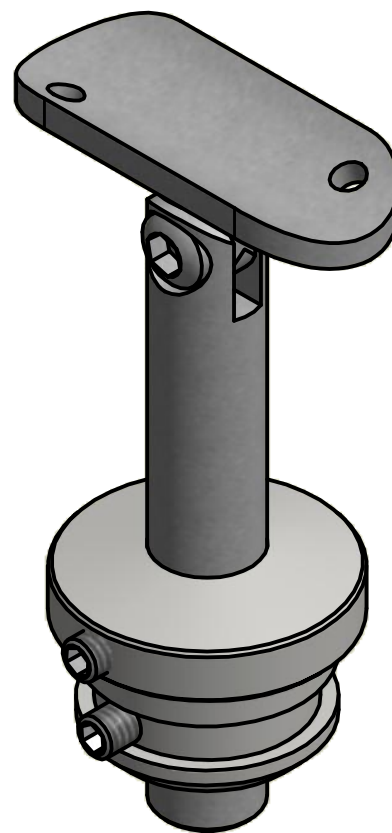
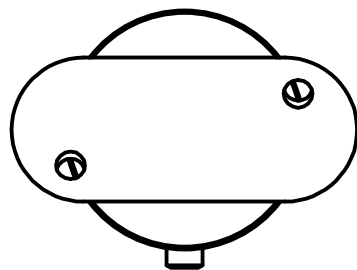




PARTS LIST

ITEM	QTY	PART NUMBER	DESCRIPTION
1	1	SAP3N2520-0025	SCREW SS 1/4-20 X .25 SKT HEAD SET SCREW
2	1	SS507	SADDLE, SWIVEL, CAST W/ HOLES
3	1	WR31001TST	POST TOP STEM
4	1	WR31600PTB	Post Top Base, SS, Cast For 1-1/4 in Schd 10 & 40 (1.66 in W/ .109 or .140 in Wall)



TOLERANCE		FINISH:		DESCRIPTION: ASSY, SWIVEL, POST TOP, 1.66 SCH10 OR SCH40 W/SADDLE W/OFFSET HOLES	
FRACTION: X/XX..... = ± 1/16" over 4ft. 16 FT RAIL EXAMPLE: 16 FT / 4 FT = 4 * 1/16" = 1/4" 16 FT RAIL..... = ± 1/4"		MATERIAL:		CUSTOMER NAME:	
DECIMAL: X.XX..... = ± .030 X.XXX..... = ± .010		WEIGHT: 0.87 lbmass		DATE: 1/10/2014	
UNLESS OTHERWISE NOTED		DRAWN BY: rknepprath		DRAWING NUMBER: WR31660AA	
A		ITEM NUMBER: WR31660AA		SHEET: 1 OF 1	
				REV: -	

